

ACCESSORY FOR VL250,  
FRONT BUS-BAR CONNECTION (FLARED) SET OF 3 PCS  
3 POLE

**Further information:**

**Information- and Downloadcenter (Catalogs, Brochures,...)**

<http://www.siemens.com/lowvoltage/catalogs>

**Global Industry Mall (Online ordering system)**

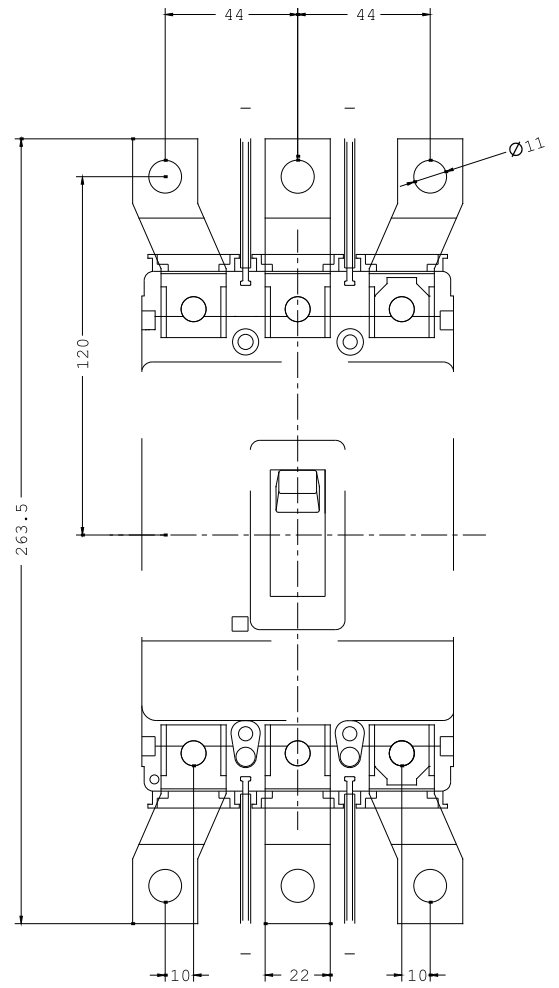
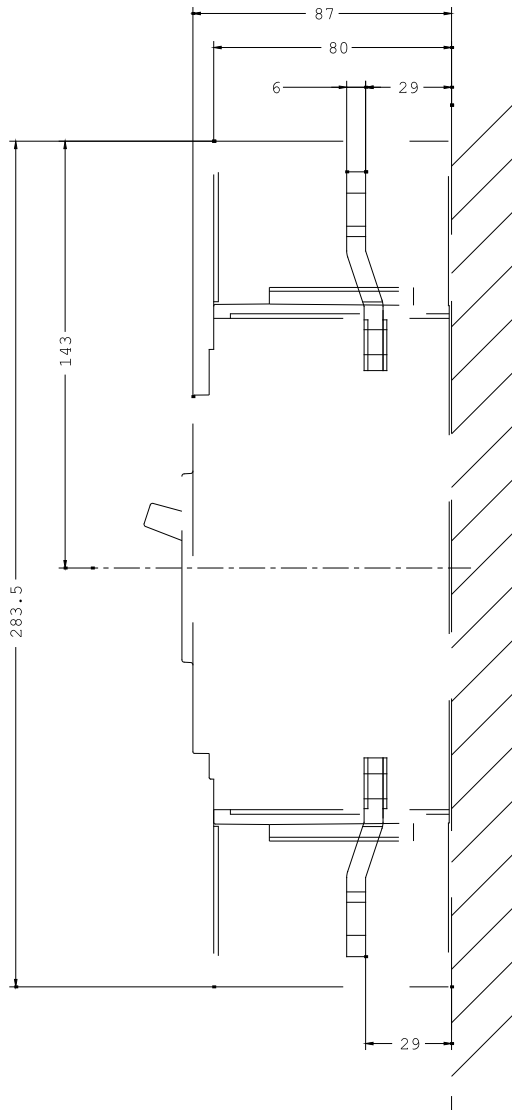
<http://www.siemens.com/lowvoltage/mall>

**Service&Support (Manuals, Certificates, Characteristics, FAQs,...)**

<http://support.automation.siemens.com/WW/view/en/3VL9300-4ED30/all>

**Image database (product images, 2D dimension drawings, 3D models, device circuit diagrams, ...)**

[http://www.automation.siemens.com/bilddb/cax\\_en.aspx?mlfb=3VL9300-4ED30](http://www.automation.siemens.com/bilddb/cax_en.aspx?mlfb=3VL9300-4ED30)



last change:

Jul 13, 2012