

Switch disconnecter 160 A, Size 2, 4-pole Front operating mechanism center Basic unit without handle flat terminal incl. phase barriers



Model	
product brand name	SENTRON
product designation	3KD switch disconnecter
design of the product	Switch
display version / for switch position indicator door-coupling rotary operating mechanism	ON-OFF
design of the actuating element	Without handle
type of the driving mechanism	Front operating mechanism
type of the driving mechanism / motor drive	No
General technical data	
number of poles	4
type of device	fixed mounting
size of switch disconnecter	2
mechanical service life (switching cycles) / typical	15 000
electrical endurance (switching cycles)	
• at AC-23 A / at 690 V	1 500
• at DC-23 A / at 440 V	1 000
I ² t value	
• with closed switch / at 1000 V / for combination switch +gG/aM SITOR fuse / maximum	19 815 A ² ·s
• of the fuse / at 500 V / maximum permissible	223 005 A ² ·s
• of the gG fuse / at 690 V / maximum permissible	226 005 A ² ·s
• of the gG/aM SITOR fuse / at 1000 V / maximum permissible	48 000 A ² ·s
• of the molded case circuit breaker / at 415 V / maximum permissible	1 750 000 A ² ·s
position / of the switch operating mechanism	after the second pole
overvoltage in percent / relative to the operating voltage / at AC / at 400, 500, 690 V / at 50/60 Hz	10 %
overvoltage category	III
degree of pollution	3
Voltage	
operating voltage / with current paths in series	
• with degree of pollution 2 / at DC / rated value	440 V / 3
• with degree of pollution 3 / at DC / rated value	440 V / 3
insulation voltage	
• rated value	1 000 V
surge voltage resistance / rated value	8 kV
Protection class	

protection class IP	IP00
protection class IP	
<ul style="list-style-type: none"> with closed switch / with cover or cable lug cover on the front 	IP20 IP00
Dissipation	
power loss [W]	
<ul style="list-style-type: none"> with conventional rated thermal current / per pole with conventional rated thermal current / per device for rated value of the current / at AC / in hot operating state / per pole 	4.6 W 18.4 W 4.6 W
Current	
operational current	
<ul style="list-style-type: none"> at 35 °C / rated value at 40 °C / rated value at 45 °C / rated value at 50 °C / rated value at 55 °C / rated value at 60 °C / rated value at 65 °C / rated value at 70 °C / rated value at AC / rated value at AC-23 A / at 690 V / rated value at AC-23 A / at 500 V / rated value at AC-23 A / at 400 V / rated value at AC-22 A / at 690 V / rated value at AC-22 A / at 500 V / rated value at AC-22 A / at 400 V / rated value at AC-20 A / at 1000 V / maximum at AC-21 A / at 500 V / rated value at AC-21 A / at 690 V / rated value 	160 A 160 A 160 A 160 A 160 A 160 A 160 A 160 A 160 A 125 A 160 A 160 A 160 A 160 A 160 A 160 A 160 A 160 A 160 A
continuous current / of upstream fuse / at 500 V and 690 V / rated value	250 A
continuous current / of upstream fuse / at 1000 V / rated value	250 A
continuous current / of upstream molded case circuit breaker / at 415 V / rated value	200 A
operational current / at DC / rated value	160 A
let-through current / of the fuse / at 500 V / maximum permissible	25 700 A
let-through current / of the gG fuse / at 690 V / maximum permissible	29 500 A
let-through current / of the aM fuse / at 690 V / maximum permissible	32 900 A
let-through current / of the gG/aM SITOR fuse / at 1000 V / maximum permissible	12 500 A
let-through current / of the molded case circuit breaker / at 415 V / maximum permissible	28 000 A
short-time withstand current (I _{cw})	
<ul style="list-style-type: none"> at 400 V AC / limited to 0.15 s / rated value 	15 kA
Main circuit	
operating power	
<ul style="list-style-type: none"> at AC-23 A / at 500 V / rated value 	110 kW
operational current / rated value	160 A
Auxiliary circuit	
number of connected NC contacts / for auxiliary contacts	0
number of connected NO contacts / for auxiliary contacts	0
number of connected CO contacts / for auxiliary contacts	0
number of CO contacts / for auxiliary contacts	4
number of NC contacts / for auxiliary contacts	0
number of NO contacts / for auxiliary contacts	0

Suitability	
suitability for use	
<ul style="list-style-type: none"> main switch switch disconnecter EMERGENCY OFF switch safety switch maintenance/repair switch 	Yes Yes Yes Yes Yes
Product details	
product feature / interlock	No
product component	
<ul style="list-style-type: none"> trip indicator voltage trigger undervoltage release undervoltage release with leading contact 	No No No No
product extension / auxiliary switch	Yes
product extension / optional	
<ul style="list-style-type: none"> motor drive voltage trigger 	No No
Short circuit	
short-time withstand current (I _{cw}) / at 1000 V AC/440 V DC / limited to 1 s / rated value	4 kA
short-circuit current making capacity (I _{cm}) / for switch disconnecter	
<ul style="list-style-type: none"> at 400 V AC / without fuse link / rated value / minimum at 1000 V AC / without fuse link / rated value / minimum at DC 440 V / without fuse link / rated value / minimum without fuse link / rated value / minimum 	30 kA 12 kA 12 kA 12 kA
conditional short-circuit current / with line-side fuse protection	
<ul style="list-style-type: none"> at 415 V / by molded case circuit breaker / rated value at 500 V / by gG fuse / rated value at 690 V / by gG fuse / rated value 	65 kA 100 kA 100 kA
Connections	
type of connectable conductor cross-sections / for aluminum conductor	
<ul style="list-style-type: none"> stranded / with lug 	1x (10 ... 70 mm ²)
type of connectable conductor cross-sections	
<ul style="list-style-type: none"> for copper busbar 	'1x (20x3 mm ²)
type of connectable conductor cross-sections / for copper conductor	
<ul style="list-style-type: none"> stranded / with lug / acc. to DIN 46235 	1x (25 ... 70 mm ²), 2x (25 ... 50 mm ²)
type of electrical connection / for main current circuit	flat connector
Mechanical Design	
height	168 mm
width	148 mm
depth	68 mm
fastening method	Screw fixing and standard rail mounting 35 mm
fastening method	
<ul style="list-style-type: none"> 4-hole front mounting front mounting with central attachment rail mounting 	No No Yes
mounting position	any
net weight	1 313 g
Environmental conditions	
ambient temperature / during operation	
<ul style="list-style-type: none"> minimum 	-25 °C

<ul style="list-style-type: none"> • maximum 	70 °C
ambient temperature / during storage	
<ul style="list-style-type: none"> • minimum • maximum 	-50 °C 80 °C

Certificates

reference code	
<ul style="list-style-type: none"> • acc. to DIN EN 61346-2 • acc. to IEC 81346-2 	Q Q

General Product Approval	Declaration of Conformity	Marine / Shipping
--------------------------	---------------------------	-------------------



[Miscellaneous](#)



Marine / Shipping	other
-------------------	-------



[Miscellaneous](#)

Further information

Information- and Downloadcenter (Catalogs, Brochures,...)

<http://www.siemens.com/lowvoltage/catalogs>

Industry Mall (Online ordering system)

<https://mall.industry.siemens.com/mall/en/en/Catalog/product?mlfb=3KD3440-0NE20-0>

Service&Support (Manuals, Certificates, Characteristics, FAQs,...)

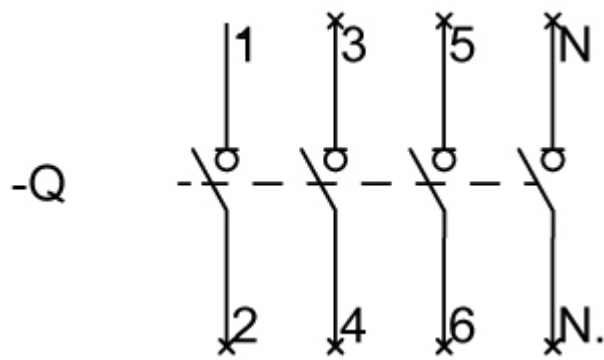
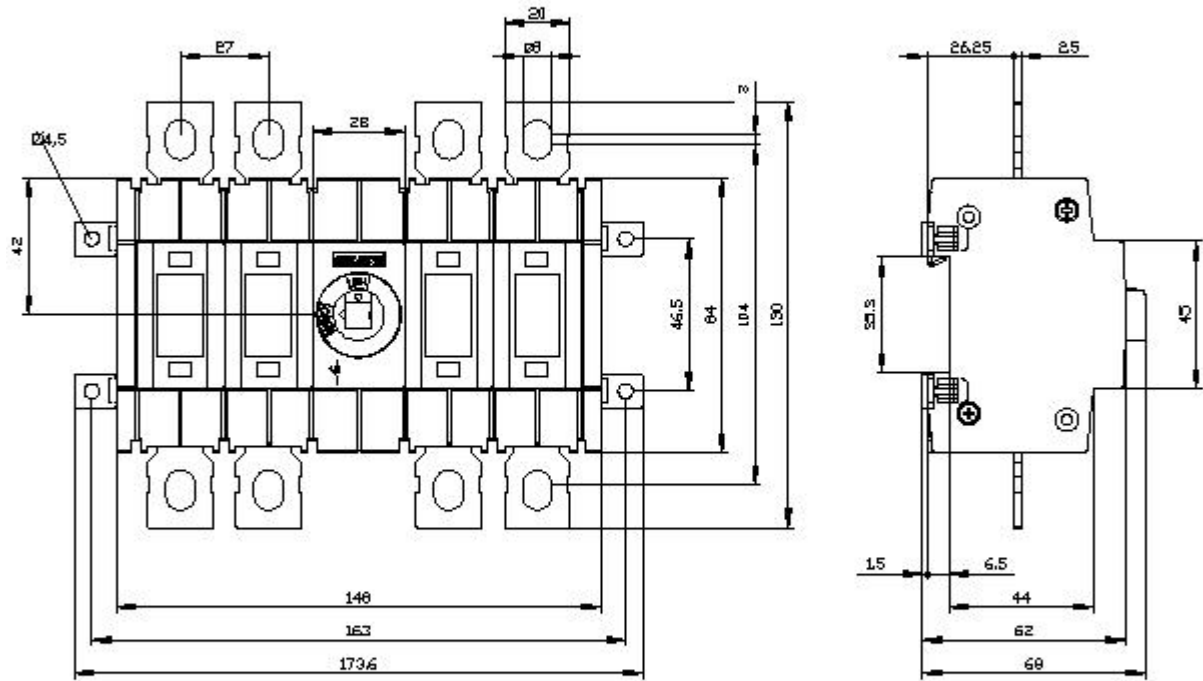
<https://support.industry.siemens.com/cs/ww/en/ps/3KD3440-0NE20-0>

Image database (product images, 2D dimension drawings, 3D models, device circuit diagrams, ...)

http://www.automation.siemens.com/bilddb/cax_en.aspx?mlfb=3KD3440-0NE20-0

Tender specifications

<http://www.siemens.com/specifications>



-CR

