

DRR270024L**Weidmüller Interface GmbH & Co. KG**

Klingenbergstraße 26

D-32758 Detmold

Germany

www.weidmueller.com

Product image

Individual relays within the D-SERIES DRR

- 2 CO contacts
- Optional AC or DC coils
- With integrated status LED

General ordering data

| | |
|------------|--|
| Version | D-SERIES DRR, Relay, Number of contacts: 2, CO contact AgCdO, Rated control voltage: 24 V DC, Continuous current: 10 A, Plug-in connection |
| Order No. | 1133370000 |
| Type | DRR270024L |
| GTIN (EAN) | 4032248952724 |
| Qty. | 10 pc(s). |

Creation date March 23, 2021 1:21:34 AM CET

Catalogue status 12.03.2021 / We reserve the right to make technical changes.

DRR270024L

Weidmüller Interface GmbH & Co. KG

Klingenbergstraße 26

D-32758 Detmold

Germany

www.weidmueller.com

Technical data

Dimensions and weights

| | | | |
|----------------|------------|-----------------|------------|
| Depth | 66 mm | Depth (inches) | 2.598 inch |
| Height | 34.5 mm | Height (inches) | 1.358 inch |
| Net weight | 75 g | Width | 34.5 mm |
| Width (inches) | 1.358 inch | | |

Temperatures

| | | | |
|---------------------|---|-----------------------|----------------|
| Storage temperature | -25 °C...55 °C | Operating temperature | -25 °C...55 °C |
| Humidity | 5...85 % rel. humidity, no condensation | | |

Environmental Product Compliance

| | |
|------------|----------------|
| REACH SVHC | Lead 7439-92-1 |
|------------|----------------|

Rated data UL

| | |
|-------------------------|---------|
| Certificate No. (cURus) | E312083 |
|-------------------------|---------|

Control side

| | | | |
|--------------------------------|-------------------------|-----------------------|-----------|
| Coil resistance | 430 Ω \pm 10 % | Power rating | 1.5 W |
| Pull-in/drop-out voltage, typ. | 18 V / 3.6 V DC | Rated control voltage | 24 V DC |
| Rated current DC | 55.8 mA | Status indicator | Green LED |

Load side

| | | | |
|---|--------------|----------------------|---------------|
| AC switching capacity (resistive), max. | 2500 VA | Continuous current | 10 A |
| DC switching capacity (resistive), max. | 240 W @ 24 V | Inrush current | 50 A / 50 ms |
| Max. switching frequency at rated load | 0.1 Hz | Min. switching power | 100 mA @ 12 V |
| Rated switching voltage | 250 V AC | Switch-off delay | \leq 20 ms |
| Switch-on delay | \leq 30 ms | | |

Contact data

| | | | |
|-------------------------|---------------------------------------|--------------------|----------------------|
| Contact type | 2 CO contact (AgCdO) | Contact resistance | \leq 50 m Ω |
| Mechanical service life | 10 x 10 ⁶ switching cycles | | |

General data

| | | |
|--------------------------------------|--------------------------|------------------------|
| Mechanical switch position indicator | Yes | |
| Colour | Transparent | |
| UL94 flammability rating component | Component | Relay test button |
| | UL94 flammability rating | HB |
| | Component | Relay status indicator |
| | UL94 flammability rating | HB |
| | Component | Relay baseplate |
| | UL94 flammability rating | V-0 |
| Component | Relay cover | |
| | UL94 flammability rating | V-2 |

DRR270024L

Weidmüller Interface GmbH & Co. KG

Klingenbergstraße 26

D-32758 Detmold

Germany

www.weidmueller.com

Technical data

Insulation coordination

| | | | |
|--|--------------------------------|--|--------------------------------|
| Creepage and clearance distance input – output | ≥ 3 mm | Dielectric strength of neighbouring contacts | 1.2 kV _{eff} / 1 min. |
| Dielectric strength of open contact | 1.2 kV _{eff} / 1 min. | Dielectric strength, Input/Output | 2.5 kV _{eff} / 1 Min. |
| Impulse withstand voltage | 4 kV (1.2/50 μs) | Insulating material group | IIIa |
| Pollution severity | 3 | Protection degree | IP20 |
| Rated voltage | 250 V | Surge voltage category | III |

Further details of approvals / standards

| | | | |
|-----------|--|-------------------------|---------|
| Standards | IEC 61810-1, EN 60664-1:2007, EN 61000-6-2:2005, EN 61000-6-4:2007 + A1:2011, UL 508 | Certificate No. (cURus) | E312083 |
|-----------|--|-------------------------|---------|

Connection data

| | |
|------------------------|--------------------|
| Wire connection method | Plug-in connection |
|------------------------|--------------------|

Classifications

| | | | |
|-------------|-------------|-------------|-------------|
| ETIM 6.0 | EC001437 | ETIM 7.0 | EC001437 |
| ECLASS 9.0 | 27-37-16-01 | ECLASS 9.1 | 27-37-16-01 |
| ECLASS 10.0 | 27-37-16-01 | ECLASS 11.0 | 27-37-16-01 |

Important note

| | |
|---------------------|--|
| Product information | This article uses an exemption named in Annex III of the RoHS Directive 2011/65/EU "8b - Cadmium and cadmium compounds in electrical contacts", which could only be valid until 21.07.2021, depending on the product category. Please check whether you can use this article depending on the place of marketing and the product category concerned. Alternative product with modified contact material: |
|---------------------|--|

Approvals

Approvals



| | |
|-----------------------|---------|
| ROHS | Conform |
| UL File Number Search | E312083 |

Downloads

| | |
|---|---|
| Approval/Certificate/Document of Conformity | EU Konformitätserklärung / EU Declaration of Conformity |
| Engineering Data | STEP |
| Engineering Data | EPLAN, WSCAD |

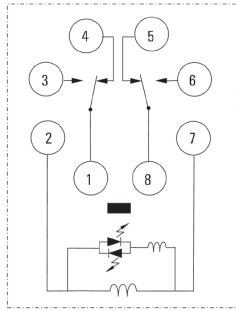
DRR270024L

Weidmüller Interface GmbH & Co. KG
 Klingenbergstraße 26
 D-32758 Detmold
 Germany

www.weidmueller.com

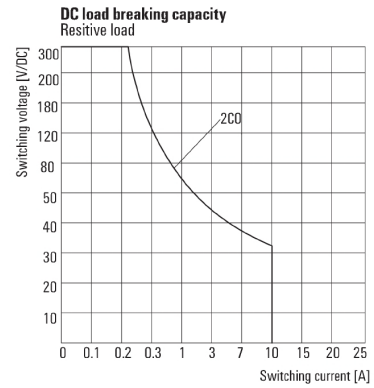
Drawings

Wiring diagram



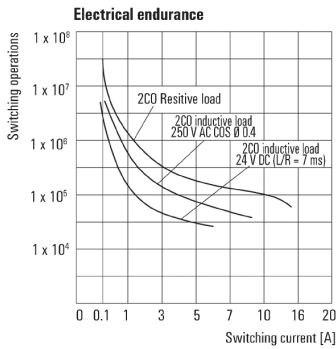
View of Pins from below

Graph



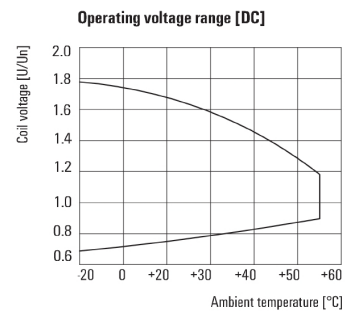
DC load limit curve
Resistive load

Graph



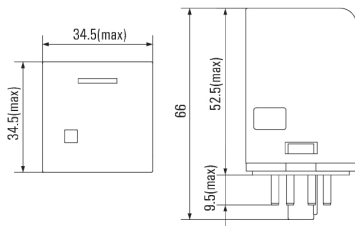
Electrical service life

Graph



DC operational voltage range

Dimensional drawing



Data sheet

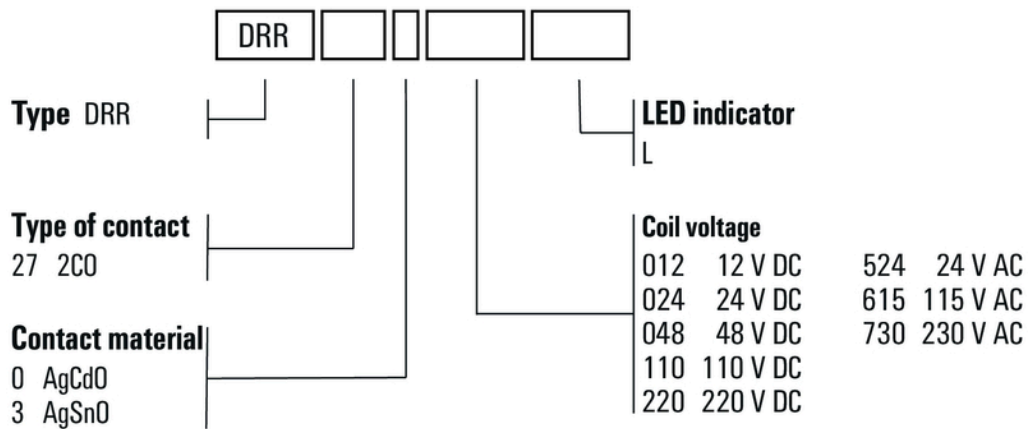
DRR270024L

Weidmüller Interface GmbH & Co. KG
 Klingenbergstraße 26
 D-32758 Detmold
 Germany

www.weidmueller.com

Drawings

Miscellaneous



Type codes