

**SAIL-VSA-M8W-3-3.0U****Weidmüller Interface GmbH & Co. KG**

Klingenbergstraße 26

D-32758 Detmold

Germany

www.weidmueller.com



Weidmüller can supply valve plugs as connecting lines with M12 plugs and one end without connector. The status of the valve plug is shown by an LED. Every valve plug is fitted with a protective circuit. The Weidmüller range includes valve plugs of type A, B and C to DIN and industry standards. In the plugged condition they achieve IP 67 class of protection. The outlet direction is also a decisive factor: Weidmüller can also supply 0° versions, i.e. the cable outlet direction is located at the PE contact.

**General ordering data**

Version	Valve plug, 90°; plug - valve plug, A
Order No.	<a href="#">1026 190300</a>
Type	SAIL-VSA-M8W-3-3.0U
GTIN (EAN)	4032248753727
Qty.	1 pc(s).

**SAIL-VSA-M8W-3-3.0U****Weidmüller Interface GmbH & Co. KG**

Klingenbergstraße 26

D-32758 Detmold

Germany

www.weidmueller.com

**Technical data****Dimensions and weights**

Net weight 125 g

**Environmental Product Compliance**

REACH SVHC Lead 7439-92-1

**Technical specifications for cable**

Cable length	3 m	Core cross-section	0.5 mm <sup>2</sup>
Halogen	No	Number of poles	3
Number of poles	3	Sheath material	PUR
Sheathing colour	black	Suitable for cable carriers	Yes
Temperature range, moving	-25...80 °C	Temperature range, moving, max.	80 °C
Temperature range, moving, min.	-25 °C	Temperature range, stationary	-50...80 °C
Temperature range, stationary, max.	80 °C	Temperature range, stationary, min.	-50 °C

**General technical data**

All valve plugs are fitted with protective circuits	Suppressor diode	Coding	Design A (18 mm), M8 = none
Connection thread	M8	Contact surface	tinned
LED	Yes	Protection degree	IP67, when screwed in
Rated current	4 A	Rated voltage	24 V
Temperature range of housing	-25...+80 °C	Threaded ring material	Brass, nickel-plated
Version	90&deg; plug - valve plug		

**Classifications**

ETIM 6.0	EC001855	ETIM 7.0	EC001855
ECLASS 9.0	27-06-03-12	ECLASS 9.1	27-06-03-11
ECLASS 10.0	27-06-03-12	ECLASS 11.0	27-06-03-12

**Approvals**

Approvals



ROHS Conform

**Downloads**Engineering Data [STEP](#)

**Data sheet**

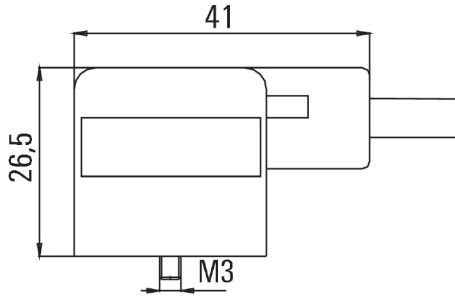
**SAIL-VSA-M8W-3-3.0U**

**Weidmüller Interface GmbH & Co. KG**  
 Klingenbergstraße 26  
 D-32758 Detmold  
 Germany

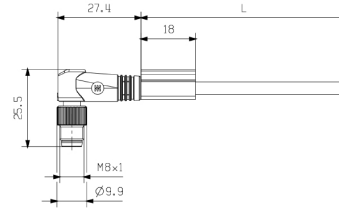
www.weidmueller.com

**Drawings**

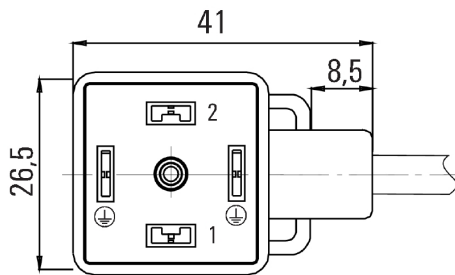
**Dimensioned drawing**



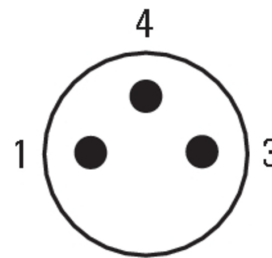
**Dimensioned drawing**



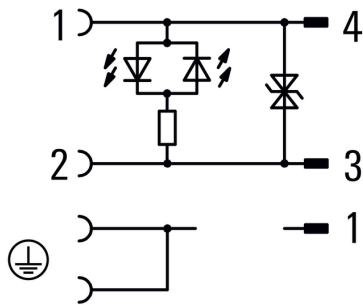
**Pole scheme**



**Pole scheme**



**Wiring diagram**



24V AC/DC\_ 4A