

SAI-4-F 4P PUR 10M**Weidmüller Interface GmbH & Co. KG**

Klingenbergstraße 26

D-32758 Detmold

Germany

www.weidmueller.com



M12 distributors are available in various versions. The 4, 6 or 8 M12 slots are in 4 or 5 pole design. The group outlet is designed as a fixed cable version, hood version for connection by the user, or with M23. Special versions are also available. For instance, there are 1-to-1 distributors for use with any connection types, or distributors approved for Ex Zone 1.

General ordering data

Version	Sensor-actuator passive distributor, M12, Fixed cable version, 10 m, Yes
Order No.	9456200000
Type	SAI-4-F 4P PUR 10M
GTIN (EAN)	4008 190304195
Qty.	1 pc(s).

Creation date March 30, 2021 1:14:16 AM CEST

Catalogue status 12.03.2021 / We reserve the right to make technical changes.

SAI-4-F 4P PUR 10M

Weidmüller Interface GmbH & Co. KG

Klingenbergstraße 26

D-32758 Detmold

Germany

www.weidmueller.com

Technical data

Dimensions and weights

Depth	102 mm	Depth (inches)	4.016 inch
Height	25 mm	Height (inches)	0.984 inch
Net weight	930 g		

Temperatures

Operating temperature	-20 - 80°C
-----------------------	------------

Environmental Product Compliance

REACH SVHC	Lead 7439-92-1
------------	----------------

Connection data

Sheathing stripping length	100 mm	Distributor outlet	Fixed cable version
----------------------------	--------	--------------------	---------------------

Electrical data

Rated voltage, min.	10 V	Rated voltage, max.	30 V
Test voltage	1 kV	Max. current-carrying capacity per slot	4 A
Total current	9 A	Current per signal	2 A
Electrical isolation available	No	Insulation strength	10 ⁹ Ω

General technical data

Plug-in station coding	A	Protection degree	IP68
Number of poles	4	Number of contact sockets	4
Connection thread	M12	Pollution severity	3
Fire behaviour	V-0	Plugging cycles	≤ 50
LED	Yes	LED initiator	Yes
LED colour for indicating operation	green	LED colour for I/O function	yellow

Material data

Housing main material	Pocan	Material of distributor	Plastic
Housing colour	grey, RAL 7032	Hood sealing material	Viton
Screw socket	Nickel-plated CuZn	Contact material	CuZn
Contact surface	Gold-plated	Contact carrier material	PBT (UL 94 V0)

Technical data cable

Bending cycles	2 Mio	Bending radius, min., moving	10 x cable diameter
Colour coding	white, grey, green, yellow, blue, brown, Green/yellow	Halogen	No
Number of poles	4	O.D.	7.5 mm
Sheath material	PUR	Sheathing colour	black
Shielded	No	Wire cross section	16 x 0.34 mm ² + 3 x 1.0 mm ²
Cable length	10 m	Suitable for cable carriers	Yes

Data sheet

SAI-4-F 4P PUR 10M

Weidmüller Interface GmbH & Co. KG
 Klingenbergstraße 26
 D-32758 Detmold
 Germany

www.weidmueller.com

Technical data

Classifications

ETIM 6.0	EC002585	ETIM 7.0	EC002585
ECLASS 9.0	27-44-01-08	ECLASS 9.1	27-44-01-08
ECLASS 10.0	27-44-01-08	ECLASS 11.0	27-44-01-08

Approvals

Approvals



ROHS	Conform
UL File Number Search	E141197

Downloads

Engineering Data	WSCAD
------------------	-----------------------

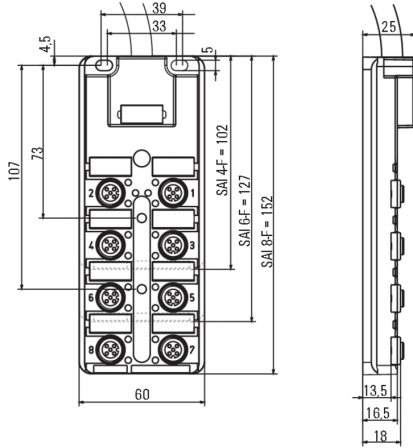
SAI-4-F 4P PUR 10M

Weidmüller Interface GmbH & Co. KG
 Klingenbergstraße 26
 D-32758 Detmold
 Germany

www.weidmueller.com

Drawings

Dimensioned drawing



Wiring diagram

