

DIAZED FUSE LINK 500V F.CABLE AND LINE PROTECTION GL, SIZE DIVH, P.T.R1 1/4",100A






Similar to image

**Technical data:**

<b>Color coding of the fuse link</b>		red
<b>Current / for AC / rated value</b>	A	100
<b>Tripping characteristic class</b>		others
<b>Size of the fallback-system / acc. to DIN EN 60269-1</b>		DIV
<b>Supply voltage</b>		
• for AC / rated value	V	500
• for DC	V	400
<b>Switching capacity current</b>		
• in accordance with IEC 60947-2 / rated value	kA	50
• with DC / in accordance with IEC 60947-2 / rated value	kA	8
<b>Ambient temperature</b>		
• minimum	°C	-5
• maximum	°C	40

**Certificates/approvals:**

General Product Approval	Declaration of Conformity	Test Certificates	Shipping Approval	other
 GOST	 EG-Konf.	<a href="#">Type Test Certificates/Test Report</a>	 GL	<a href="#">Environmental Confirmations</a>

#### Further information:

##### Information- and Downloadcenter (Catalogs, Brochures,...)

<http://www.siemens.com/lowvoltage/catalogs>

##### Industry Mall (Online ordering system)

<http://www.siemens.com/lowvoltage/mall>

##### Service&Support (Manuals, Certificates, Characteristics, FAQs,...)

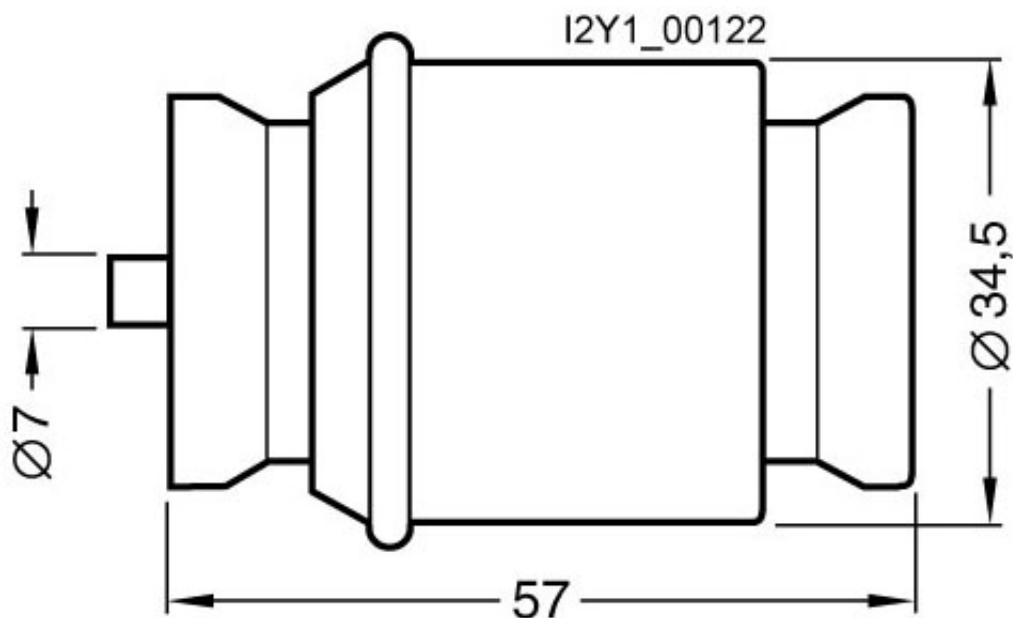
<http://support.automation.siemens.com/WW/view/en/5SC221/all>

##### Image database (product images, 2D dimension drawings, 3D models, device circuit diagrams, ...)

[http://www.automation.siemens.com/bilddb/cax\\_en.aspx?mlfb=5SC221](http://www.automation.siemens.com/bilddb/cax_en.aspx?mlfb=5SC221)

##### CAX-Online-Generator

<http://www.siemens.com/cax>



last change:

Nov 4, 2012