



DIAZED-BASE DIII 63A E33S AC DC 750V FOR FUSE LINKS 5SD7 SCREW TYPE

Similar to image

**Technical data:**

<b>Design of the fuse base</b>		gauge inset
<b>Current / for AC / rated value</b>	A	63
<b>Number of poles</b>		1
<b>Mounting type</b>		screw fixing
<b>Material / of the enclosure</b>		others
<b>Product component / Cover</b>		Yes
<b>Size of the fallback-system / acc. to DIN EN 60269-1</b>		DIII
<b>Supply voltage / for AC / rated value</b>	V	750

**Certificates/approvals:**

General Product Approval

Declaration of Conformity



**Further information:**

Information- and Downloadcenter (Catalogs, Brochures,...)

<http://www.siemens.com/lowvoltage/catalogs>

Industry Mall (Online ordering system)

<https://eb.automation.siemens.com/mall/en/WW/Catalog/Product/5SF4230>

Service&Support (Manuals, Certificates, Characteristics, FAQs,...)

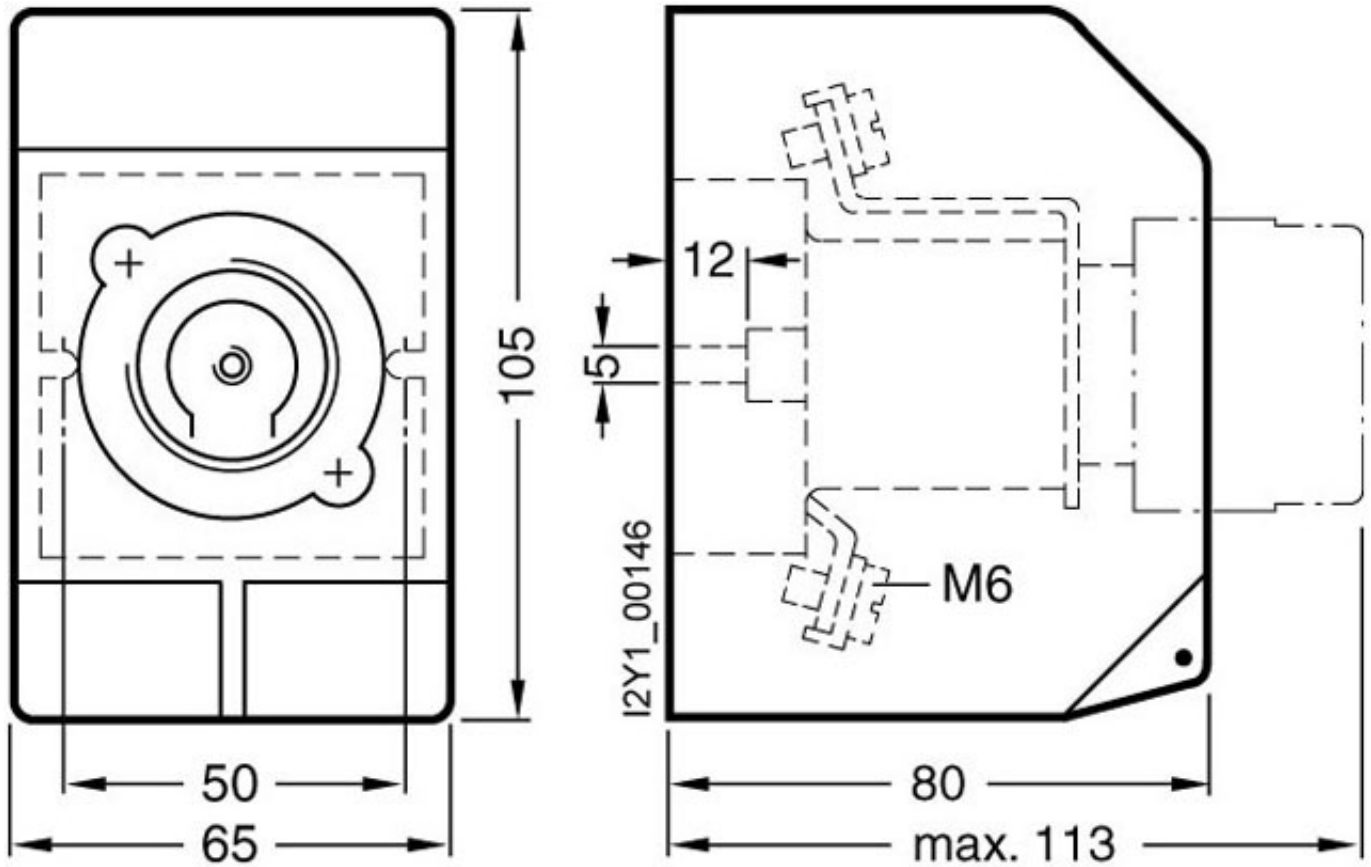
<http://support.automation.siemens.com/WW/view/en/5SF4230/all>

Image database (product images, 2D dimension drawings, 3D models, device circuit diagrams, ...)

[http://www.automation.siemens.com/bilddb/cax\\_en.aspx?mlfb=5SF4230](http://www.automation.siemens.com/bilddb/cax_en.aspx?mlfb=5SF4230)

CAX-Online-Generator

<http://www.siemens.com/cax>





**last change:**

Jul 9, 2014