

DIAZED-BASE EZR DIII 25 A 3POLS AC690V DC500V



Similar to image

Technical data:

Design of the fuse base		gauge inset
Current / for AC / rated value	A	63
Number of poles		1
Mounting type		screw fixing
Material / of the enclosure		others
Product component / Cover		Yes
Size of the fallback-system / acc. to DIN EN 60269-1		DIII
Supply voltage / for AC / rated value	V	690

Certificates/approvals:

General Product Approval

Declaration of Conformity



Further information:

Information- and Downloadcenter (Catalogs, Brochures,...)

<http://www.siemens.com/lowvoltage/catalogs>

Industry Mall (Online ordering system)

<https://eb.automation.siemens.com/mall/en/WW/Catalog/Product/5SF6205>

Service&Support (Manuals, Certificates, Characteristics, FAQs,...)

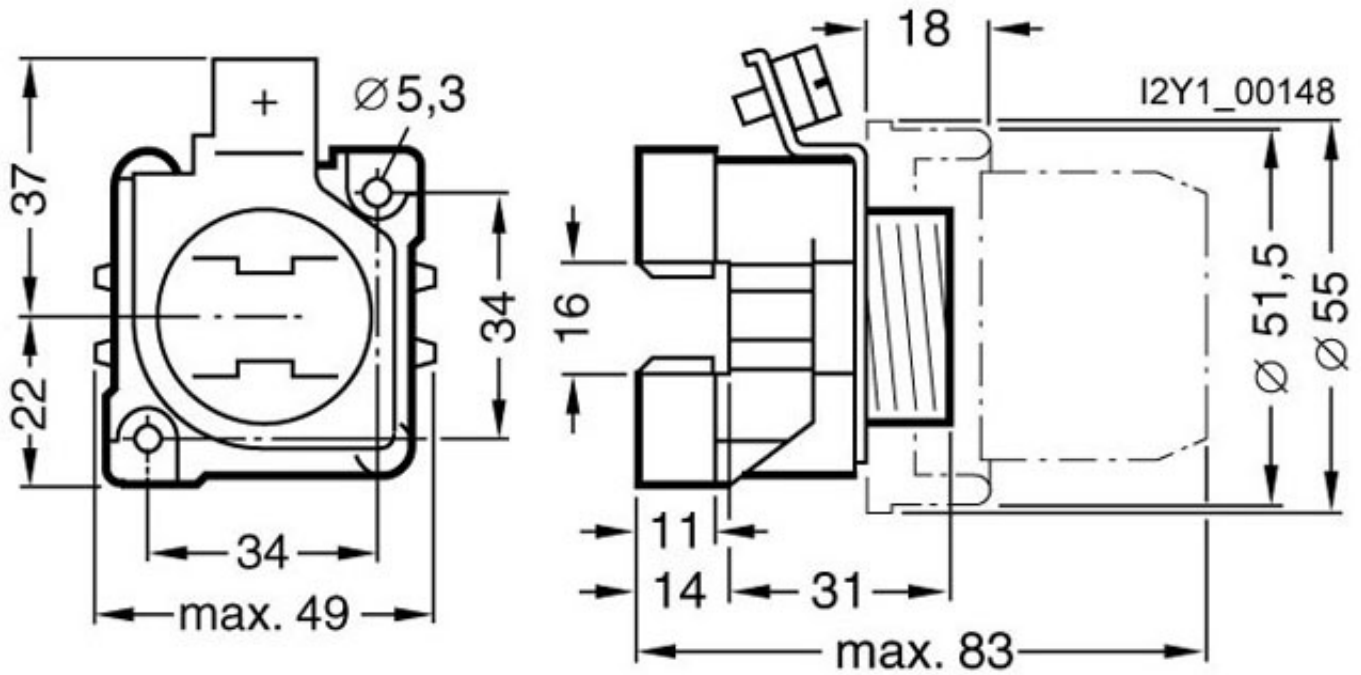
<http://support.automation.siemens.com/WW/view/en/5SF6205/all>

Image database (product images, 2D dimension drawings, 3D models, device circuit diagrams, ...)

http://www.automation.siemens.com/bilddb/cax_en.aspx?mlfb=5SF6205

CAX-Online-Generator

<http://www.siemens.com/cax>





last change:

Jul 9, 2014