



MINIALIZED-SWITCH DISCONNECTOR FOR NEOZED FUSE LINKS D02, 1POLE DRAW-OUT ASSEMBLY

Similar to image

Technical data:

Number of poles		1
Size of the fallback-system / acc. to DIN EN 60269-1		D02
Operating voltage / for AC / rated value	V	230
Current / for AC / rated value	A	63

Certificates/approvals:

General Product Approval	Declaration of Conformity	Shipping Approval
--------------------------	---------------------------	-------------------



Further information:

Information- and Downloadcenter (Catalogs, Brochures,...)

<http://www.siemens.com/lowvoltage/catalogs>

Industry Mall (Online ordering system)

<http://www.siemens.com/lowvoltage/mall>

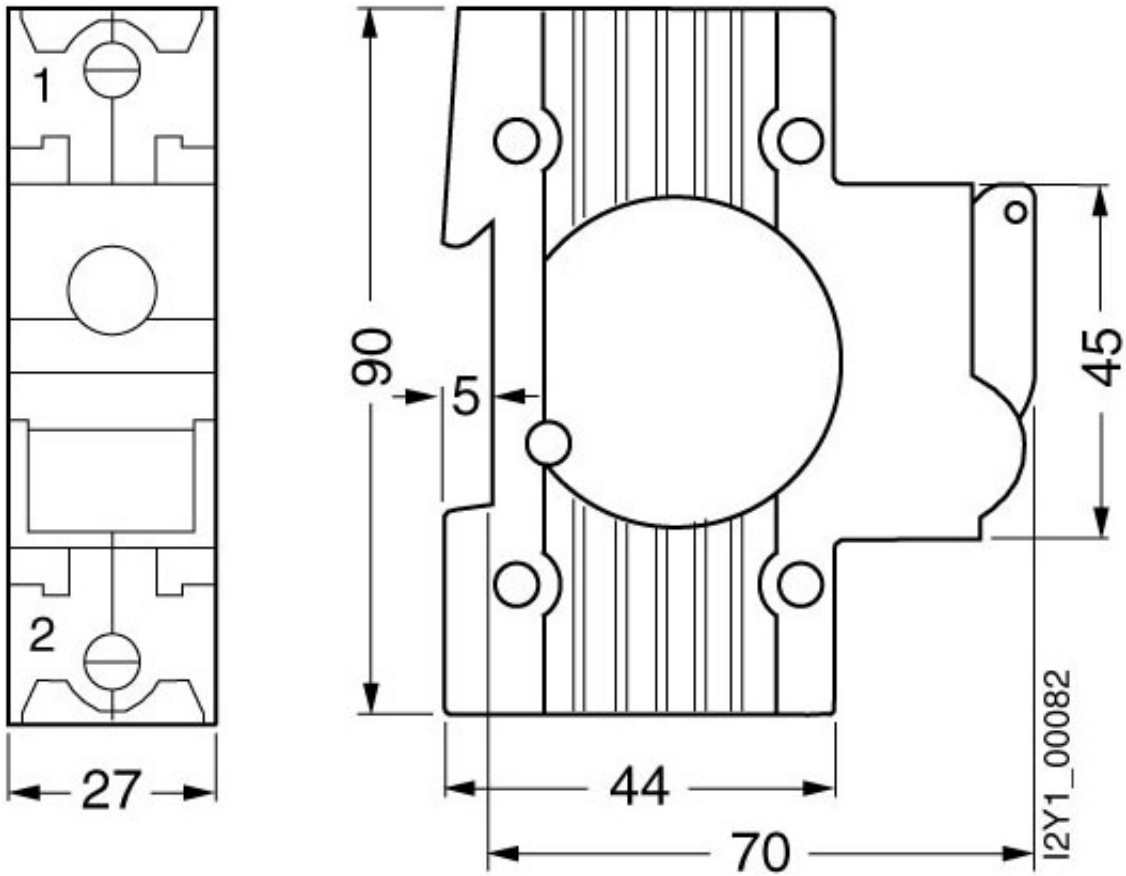
Service&Support (Manuals, Certificates, Characteristics, FAQs,...)

<http://support.automation.siemens.com/WW/view/en/5SG7113/all>

Image database (product images, 2D dimension drawings, 3D models, device circuit diagrams, ...)

http://www.automation.siemens.com/bilddb/cax_en.aspx?mlfb=5SG7113

Tender specifications
[Datanorm GAEB81](#) [GAEB83](#) [RTF](#) [TXT](#)



last change:

Jan 30, 2013