

**SAIL-VSCD-M8G-3-1.5U****Weidmüller Interface GmbH & Co. KG**

Klingenbergstraße 26

D-32758 Detmold

Germany

www.weidmueller.com



Weidmüller can supply valve plugs as connecting lines with M12 plugs and one end without connector. The status of the valve plug is shown by an LED. Every valve plug is fitted with a protective circuit. The Weidmüller range includes valve plugs of type A, B and C to DIN and industry standards. In the plugged condition they achieve IP 67 class of protection. The outlet direction is also a decisive factor: Weidmüller can also supply 0° versions, i.e. the cable outlet direction is located at the PE contact.

**General ordering data**

Version	, Straight plug - valve plug
Order No.	<a href="#">1916700150</a>
Type	SAIL-VSCD-M8G-3-1.5U
GTIN (EAN)	4032248550227
Qty.	1 pc(s).

Creation date March 26, 2021 8:08:27 AM CET

Catalogue status 12.03.2021 / We reserve the right to make technical changes.

**SAIL-VSCD-M8G-3-1.5U****Weidmüller Interface GmbH & Co. KG**

Klingenbergstraße 26

D-32758 Detmold

Germany

www.weidmueller.com

**Technical data****Dimensions and weights**

Net weight 52 g

**Environmental Product Compliance**

REACH SVHC Lead 7439-92-1

**Technical specifications for cable**

Acceleration	5 m/s <sup>2</sup>	Bending cycles	2 Mio
Bending radius, min., moving	10 x cable diameter	Bending radius, min., stationary	5 x cable diameter
Cable length	1.5 m	Colour coding	brown, blue, Green/yellow
Core cross-section	0.5 mm <sup>2</sup>	Halogen	No
Insulation	PP	Number of poles	3
Number of poles	3	Resistant to welding beads	No
Sheath material	PUR	Sheathing colour	black
Shielded	No	Speed	200 m/min
Suitable for cable carriers	Yes	Temperature range, moving	-25...80 °C
Temperature range, moving, max.	80 °C	Temperature range, moving, min.	-25 °C
Temperature range, stationary, max.	80 °C		

**General technical data**

All valve plugs are fitted with protective circuits	Suppressor diode	Coding	DIN design C (8 mm), M8 = none
Contact surface	tinned	LED	Yes
Protection degree	IP67, when screwed in	Rated current	4 A
Rated voltage	24 V	Temperature range of housing	-25...+80 °C
Tightening torque	Mounting screw M3: 0.4 Nm	Version	Straight plug - valve plug

**Classifications**

ETIM 6.0	EC001855	ETIM 7.0	EC001855
ECLASS 9.0	27-06-03-12	ECLASS 9.1	27-06-03-11
ECLASS 10.0	27-06-03-12	ECLASS 11.0	27-06-03-12

**Approvals**

Approvals



ROHS Conform

**Downloads**Engineering Data [STEP](#)

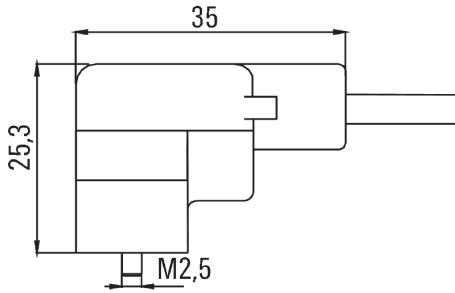
**SAIL-VSCD-M8G-3-1.5U**

**Weidmüller Interface GmbH & Co. KG**  
 Klingenbergstraße 26  
 D-32758 Detmold  
 Germany

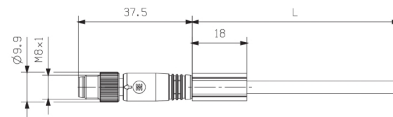
www.weidmueller.com

**Drawings**

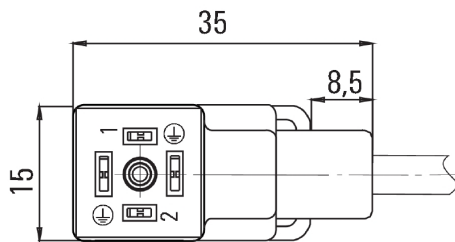
**Dimensioned drawing**



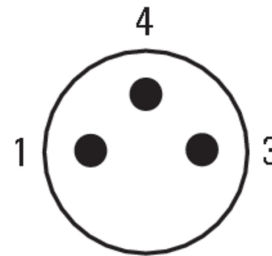
**Dimensioned drawing**



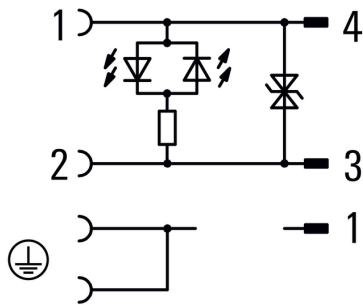
**Pole scheme**



**Pole scheme**



**Wiring diagram**



24V AC/DC\_ 4A