

FORK-TYPE BUSBAR SHOCK-PROOF,
1-PHASE 16 SQMM, 56 SPACING UNITS



Similar to image

Technical data:

product brand name		SENTRON
Operating current / rated value	A	120
Busbar design		laminated
Traitement de surface / étamé		No
Material / of the busbar		SF-Cu F 24
Product property / flexible		Yes
Length	mm	1,000
Width	mm	13
Thickness / of busbar	mm	3.5

Certificates/approvals:

General Product Approval	Declaration of Conformity	other
 GOST	 EG-Konf.	other
		Environmental Confirmations

Further information:

Information- and Downloadcenter (Catalogs, Brochures,...)
<http://www.siemens.com/lowvoltage/catalogs>

Industry Mall (Online ordering system)

<https://eb.automation.siemens.com/mall/en/WW/Catalog/Product/5ST2190>

Service&Support (Manuals, Certificates, Characteristics, FAQs,...)

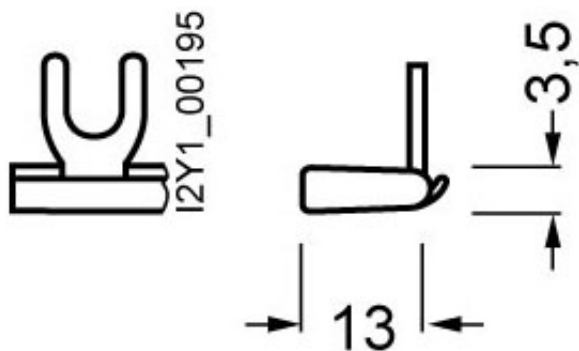
<http://support.automation.siemens.com/WW/view/en/5ST2190/all>

Image database (product images, 2D dimension drawings, 3D models, device circuit diagrams, ...)

http://www.automation.siemens.com/bilddb/cax_en.aspx?mlfb=5ST2190

CAx-Online-Generator

<http://www.siemens.com/cax>



last change:

Jul 10, 2014