

PIN BUSBAR 1PHASE,
1016MM LONG SHOCKHAZARD-SAFETY,
25SQMM WITHOUT END CAPS, ACC.TO UL 508






Similar to image

Technical data:

Busbar design		laminated
Length	mm	1,000
Width	mm	15
Thickness / of busbar	mm	5
Material / of the busbar		SF-Cu F 24
Product property / flexible		No
Traitement de surface / étamé		No

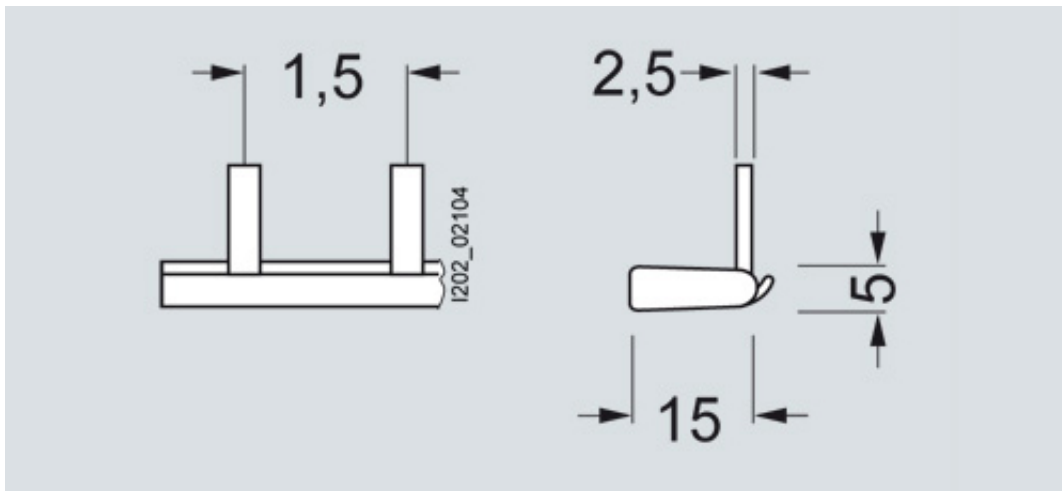
Certificates/approvals:

General Product Approval	Declaration of Conformity	other
 GOST	 UL	 EG-Konf.
		other

Further information:

Information- and Downloadcenter (Catalogs, Brochures,...)
<http://www.siemens.com/lowvoltage/catalogs>

Industry Mall (Online ordering system)
<http://www.siemens.com/lowvoltage/mall>



last change:

Nov 29, 2012