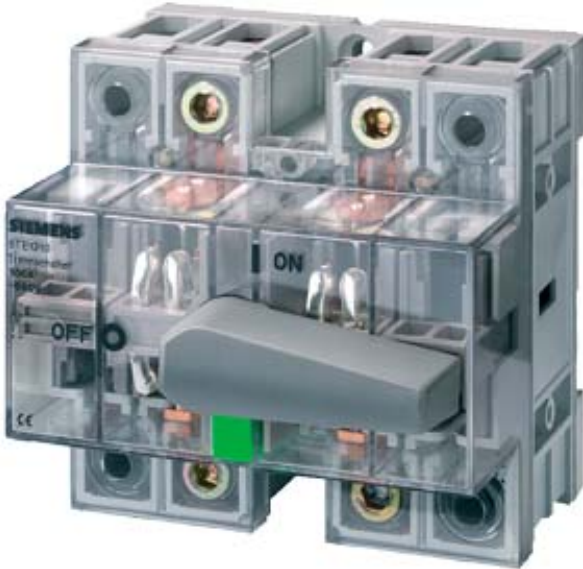


DISCONNECTOR,  
92MM 125A 2POLE TRANSPARENT






Similar to image

**Technical data:**

<b>Number of poles</b>		2
<b>Design of the operating mechanism</b>		selector switch
<b>Product equipment / interlock</b>		No
<b>Continuous current / rated value</b>	A	125
<b>Acceptability for application / emergency stop switch</b>		No
<b>Type from device</b>		other
<b>Design of the electrical connection / for main current circuit</b>		screw-type terminals
<b>Number of NC contacts / for auxiliary contacts</b>		0
<b>Acceptability for application / safety cut-out switch</b>		No
<b>Type of the driving mechanism / motor drive</b>		No
<b>Number of NO contacts / for auxiliary contacts</b>		2
<b>Number of change-over switches / for auxiliary contacts</b>		0
<b>Operating voltage / at 50/60 Hz / for AC / rated value</b>	V	690
<b>Service power / at AC 23 A / at 400 V / at 50/60 Hz / rated value</b>	kW	44
<b>Protection class IP</b>		IP20
<b>Acceptability for application / main switch</b>		No
<b>Acceptability for application / switch disconnecter</b>		Yes
<b>Product extension / optional / motor drive</b>		No

Product extension / optional / voltage trigger	No
Type of fixing / 4-hole front mounting	No
Type of fixing / central front mounting	No
Suitability for integration / distribution board	Yes
Acceptability for application / maintenance/repair switch	Yes

#### Certificates/approvals:

General Product Approval	Declaration of Conformity	other
 GOST	 KEMA	 EG-Konf.
		<a href="#">Environmental Confirmations</a>

#### Further information:

##### Information- and Downloadcenter (Catalogs, Brochures,...)

<http://www.siemens.com/lowvoltage/catalogs>

##### Industry Mall (Online ordering system)

<http://www.siemens.com/lowvoltage/maill>

##### Service&Support (Manuals, Certificates, Characteristics, FAQs,...)

<http://support.automation.siemens.com/WW/view/en/5TE1220/all>

##### Image database (product images, 2D dimension drawings, 3D models, device circuit diagrams, ...)

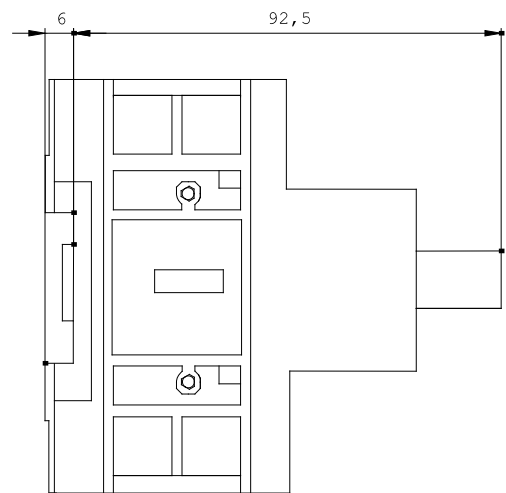
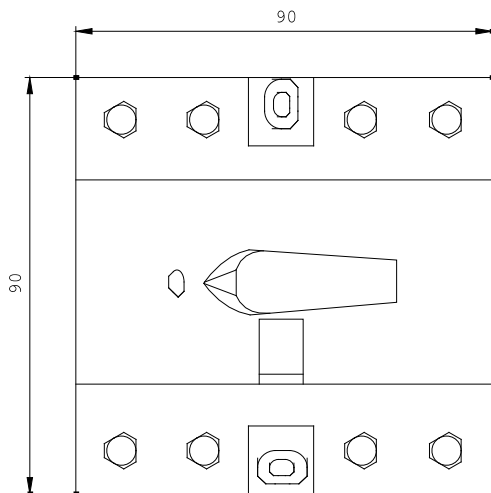
[http://www.automation.siemens.com/bilddb/cax\\_en.aspx?mlfb=5TE1220](http://www.automation.siemens.com/bilddb/cax_en.aspx?mlfb=5TE1220)

##### CAX-Online-Generator

<http://www.siemens.com/cax>

##### Tender specifications

[Datanorm GAEB81](#) [GAEB83](#) [RTF](#) [TXT](#)



last change:

Nov 5, 2012