






CONTROL SWITCH, D=70MM 20A 3NO,  
1 LAMP 230V W. AUXILIARY.CURRENT SWITCH  
1NC/1NO

Similar to image

**Technical data:**

<b>Mounting depth</b>	mm	70
<b>Operating voltage / rated value</b>	V	400
<b>Operating current / rated value</b>	A	20
<b>type of voltage</b>		AC
<b>Number of poles</b>		1
<b>Breaking capacity current / rated value</b>	kA	0.06
<b>Resistance against short-circuit current</b>	kA	10
<b>Design of the switching function</b>		Off switch with
<b>Number of pitch units for width</b>		1.5
<b>Number of NC contacts</b>		0
<b>Number of NO contacts</b>		3
<b>Number of change-over switches</b>		0
<b>Product component / Signal lamp</b>		Yes
<b>Product function / positive opening (acc. to DIN VDE 0113)</b>		No

**Certificates/approvals:**

General Product Approval	Declaration of Conformity	Test Certificates	other
 GOST	 VDE	 EG-Konf.	<a href="#">Type Test Certificates/Test Report</a> <a href="#">Environmental Confirmations</a>

#### Further information:

##### Information- and Downloadcenter (Catalogs, Brochures,...)

<http://www.siemens.com/lowvoltage/catalogs>

##### Industry Mall (Online ordering system)

<http://www.siemens.com/lowvoltage/mall>

##### Service&Support (Manuals, Certificates, Characteristics, FAQs,...)

<http://support.automation.siemens.com/WW/view/en/5TE8108/all>

##### Image database (product images, 2D dimension drawings, 3D models, device circuit diagrams, ...)

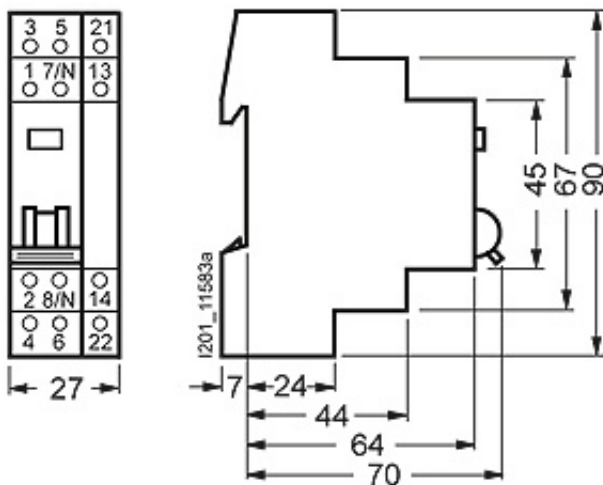
[http://www.automation.siemens.com/bilddb/cax\\_en.aspx?mlfb=5TE8108](http://www.automation.siemens.com/bilddb/cax_en.aspx?mlfb=5TE8108)

##### CAX-Online-Generator

<http://www.siemens.com/cax>

##### Tender specifications

[Datanorm GAEB81](#) [GAEB83](#) [RTF](#) [TXT](#)



last change:

Nov 16, 2012