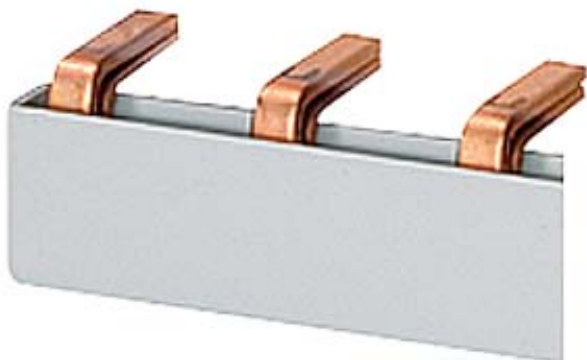


2 PHASE BAR 12TE 32A FOR TERMINALS 6QMM (FOR 5TE8 1+2,5TE4 8,5TE5 8, 5TE7 1+2+3,5TE4 7,5TE5 7,5TT55)



Similar to image

Technical data:

Length	mm	220
Phase number		2
Cross section	mm ²	6
Design of the electrical connection		others

Certificates/approvals:

General Product Approval other



GOST

[Environmental Confirmations](#)

Further information:

Information- and Downloadcenter (Catalogs, Brochures,...)

<http://www.siemens.com/lowvoltage/catalogs>

Industry Mall (Online ordering system)

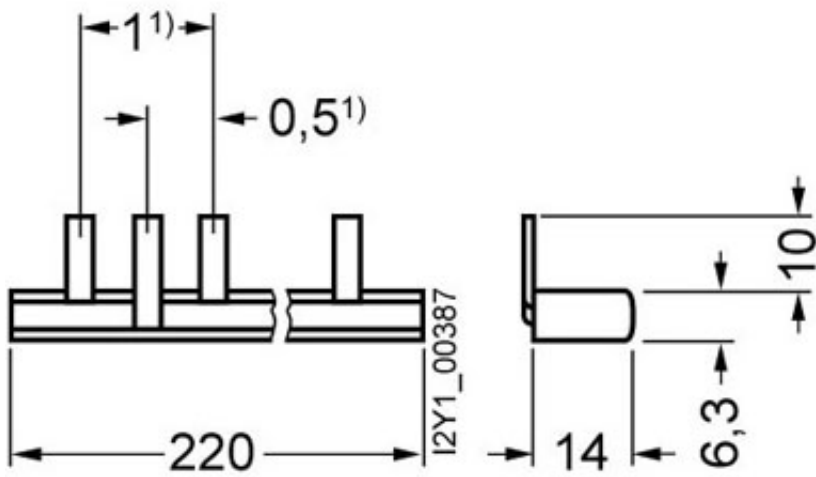
<https://eb.automation.siemens.com/mall/en/WW/Catalog/Product/5TE9101>

Service&Support (Manuals, Certificates, Characteristics, FAQs,...)

<http://support.automation.siemens.com/WW/view/en/5TE9101/all>

Image database (product images, 2D dimension drawings, 3D models, device circuit diagrams, ...)

http://www.automation.siemens.com/bilddb/cax_en.aspx?mlfb=5TE9101



1) Pin spacings in MW (Modular widths, 1 MW = 18 mm).

last change:

Mar 17, 2014