



RELAY,
N-TYPE WITH 1 NO AND 1NC CONTACT FOR AC 230V
16A CONTROL AC 12V

Similar to image

Technical data:

Mounting depth	mm	90
Number of NC contacts		1
Type of mounting		DIN rail
Number of change-over switches		0
Number of NO contacts		1
Number of pitch units for width		1
Type of voltage		
• of control voltage_1		AC
Switching capacity apparent power		
• for uncorrected fluorescent lamp load	V·A	400
Switching capacity real power / for filament lamp load	W	1,200
Switching capacity current / at cos phi 0.6	A	16
Operating current / rated value	A	16
Control voltage frequency		
• _1		
• initial value	Hz	50
• final value	Hz	50
Control voltage/ _1		

• final value		
• initial value	V	12
•	V	12
Type of voltage / of supply voltage		AC
Relay design		partially electronic
Supply voltage / maximum	V	400
Supply voltage / minimum	V	400

Certificates/approvals:

General Product Approval	Declaration of Conformity	other
 CCC	 GOST	 VDE
	 EG-Konf.	Environmental Confirmations

Further information:

Information- and Downloadcenter (Catalogs, Brochures,...)

<http://www.siemens.com/lowvoltage/catalogs>

Industry Mall (Online ordering system)

<http://www.siemens.com/lowvoltage/mall>

Service&Support (Manuals, Certificates, Characteristics, FAQs,...)

<http://support.automation.siemens.com/WW/view/en/5TT4205-3/all>

Image database (product images, 2D dimension drawings, 3D models, device circuit diagrams, ...)

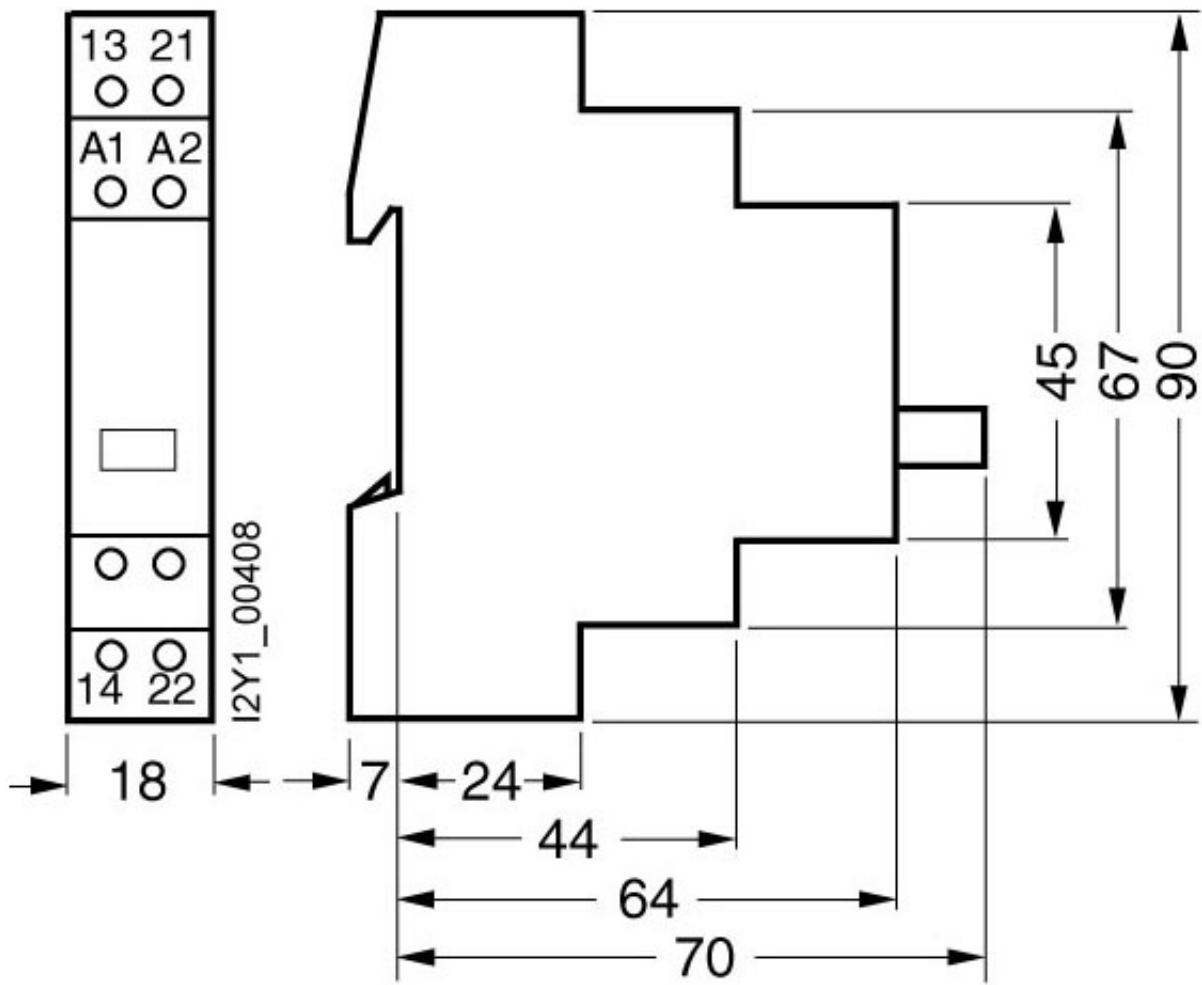
http://www.automation.siemens.com/bilddb/cax_en.aspx?mlfb=5TT4205-3

CAX-Online-Generator

<http://www.siemens.com/cax>

Tender specifications

[Datanorm GAEB81](#) [GAEB83](#) [RTF](#) [TXT](#)



last change:

Dec 14, 2012