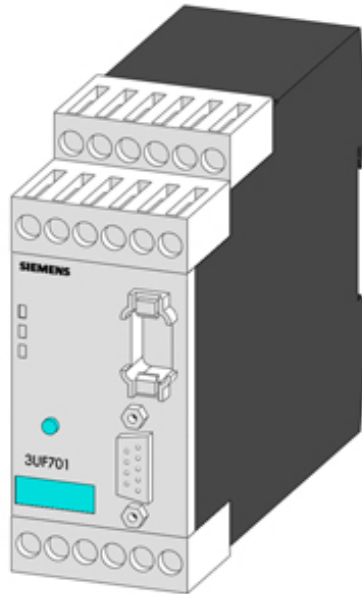


SIPLUS SIMOCODE PRO V BASIC UNIT 2 -25 ... +60 DEGREES C WITH CONFORMAL COATING BASED ON 3UF7010-1AU00-0 . PROFIBUS DP INTERFACE 12 MBIT/S RS485; 4I/3O FREELY PARAMETERIZABLE; US: AC/DC 110-240V; INPUT F.THERMISTOR MOTOR PROTECTION; RELAY OUTPUTS MONOSTABLE; EXPANDABLE BY EXPANSION MODULES



<b>Product designation</b>	SIPLUS SIMOCODE pro V motor management system
<b>Design of the product</b>	basic unit 2
<b>General technical data:</b>	
<b>Power loss [W] total typical</b>	7 W
<b>Insulation voltage</b>	
• with degree of pollution 3 rated value	300 V
• rated value	300 V
<b>Shock resistance</b>	
• acc. to IEC 60068-2-27	15g / 11 ms
<b>Vibration resistance</b>	1-6 Hz / 15 mm; 6-500 Hz / 2 g
<b>Surge voltage resistance rated value</b>	4 000 V
<b>Mechanical service life (switching cycles)</b>	
• typical	10 000 000
<b>Electrical endurance (switching cycles)</b>	
• typical	100 000
<b>Protection class IP</b>	IP20
<b>Equipment marking</b>	
• acc. to DIN EN 61346-2	F
• acc. to DIN EN 81346-2	F

Electromagnetic compatibility:	
<b>EMC emitted interference</b>	
• acc. to IEC 60947-1	class A
<b>EMI immunity acc. to IEC 60947-1</b>	corresponds to degree of severity 3
<b>Conducted interference due to burst acc. to IEC 61000-4-4</b>	2 kV (power ports) / 1 kV (signal ports)
<b>Conducted interference due to conductor-earth surge acc. to IEC 61000-4-5</b>	2 kV
<b>Conducted interference due to conductor-conductor surge acc. to IEC 61000-4-5</b>	1 kV
<b>Conducted interference due to high-frequency radiation acc. to IEC 61000-4-6</b>	10 V
<b>Field-bound parasitic coupling acc. to IEC 61000-4-3</b>	10 V/m
<b>Electrostatic discharge acc. to IEC 61000-4-2</b>	6 kV contact discharge / 8 kV air discharge

Inputs/ Outputs:	
<b>Number of inputs</b>	4
• for thermistor connection	1
<b>Number of digital inputs</b>	
• with a common reference potential	4
<b>Digital input version</b>	
• Type 1 acc. to IEC 61131	Yes
<b>Number of outputs</b>	3
<b>Number of outputs as contact-affected switching element</b>	3
<b>Number of semiconductor outputs</b>	0

Motor protection functions:	
<b>Product function Overload protection</b>	Yes
<b>Product function Evaluation of thermistor motor protection</b>	Yes

Motor control functions:	
<b>Product function</b>	
• parameterizable overload relay	Yes
• circuit breaker control	Yes
• direct start	Yes
• reverse starting	Yes
• star-delta circuit	Yes
• star-delta reversing circuit	Yes
• Dahlander circuit	Yes
• Dahlander reversing circuit	Yes
• pole-changing switch circuit	Yes
• pole-changing switch reversing circuit	Yes
• Slide control	Yes

- valve control

Yes

### Communication/ Protocol:

<b>Product function Bus communication</b>	Yes
<b>Protocol is supported</b>	
• PROFIBUS DP protocol	Yes
• PROFINET IO protocol	No
• PROFI-safe protocol	Yes
• LLDP	No
• Address Resolution Protocol (ARP)	No
• SNMP	No
• HTTPS	No
• OPC UA Server	No
• NTP	No
• Media Redundancy Protocol (MRP)	No
<b>Product function</b>	
• web server	No
• shared device	No
• at the Ethernet interface Autonegotiation	No
• at the Ethernet interface Autosensing	No
• MRRT redundancy procedure	No
• is supported PROFINET system redundancy	No
• supports PROFIenergy measured values	No
• supports PROFIenergy shutdown	No
Type of electrical connection of the communication interface	D-sub / terminal

### Installation/ mounting/ dimensions:

<b>Mounting position</b>	any
<b>Mounting type</b>	screw and snap-on mounting
<b>Height</b>	111 mm
<b>Width</b>	45 mm
<b>Depth</b>	124 mm

### Connections/ Terminals:

<b>Type of electrical connection</b>	
• for auxiliary and control current circuit	screw-type terminals
<b>Product function</b>	
• removable terminal for auxiliary and control circuit	Yes
<b>Type of connectable conductor cross-sections</b>	
• solid	1x (0.5 ... 4.0 mm <sup>2</sup> ), 2x (0.5 ... 2.5 mm <sup>2</sup> )
• finely stranded with core end processing	1x (0.5 ... 2.5 mm <sup>2</sup> ), 2x (0.5 ... 1.5 mm <sup>2</sup> )
• at AWG conductors	

— solid	1x (20 ... 12), 2x (20 ... 14)
— stranded	1x (20 ... 14), 2x (20 ... 16)
<b>Tightening torque</b>	
• with screw-type terminals	0.8 ... 1.2 N·m
<b>Tightening torque [lbf·in]</b>	
• with screw-type terminals	7 ... 10.3 lbf·in
<b>Ambient conditions:</b>	
<b>Ambient temperature</b>	
• during operation	-25 ... +60 °C
• during storage	-40 ... +80 °C
• during transport	-40 ... +80 °C
• at installation altitude ≤ 3000m during operation maximum	50 °C
• at installation altitude ≤ 4000 m during operation maximum	40 °C
<b>Contact rating of auxiliary contacts according to UL</b>	B300 / R300
<b>Short-circuit:</b>	
Design of short-circuit protection per output	Fuse links: gG 6 A, quick-response 10 A (IEC 60947-5-1), miniature circuit-breaker C char.: 1.6 A (IEC 60947-5-1) or 6 A (I_K < 500 A)
<b>Safety related data:</b>	
<b>Protection against electrical shock</b>	finger-safe
<b>Galvanic isolation:</b>	
<b>Design of the electrical isolation</b>	Protective separation in accordance with IEC 60947-1 for all circuits
<b>Main circuit:</b>	
<b>Operating voltage</b>	
• at AC	
— at 50 Hz rated value	110 ... 240 V
— at 60 Hz rated value	110 ... 240 V
• at DC rated value	
— maximum	240 V
— minimum	110 V
<b>Control circuit/ Control:</b>	
<b>Type of voltage of the control supply voltage</b>	AC/DC
<b>Control supply voltage at AC</b>	
• at 50 Hz rated value	110 ... 240 V
• at 60 Hz rated value	110 ... 240 V
<b>Control supply voltage at DC</b>	
• rated value	110 ... 240 V

<b>Control supply voltage 1</b>	
• at DC rated value	240 V
• rated value	50 Hz
<b>Control supply voltage frequency 2 rated value</b>	60 Hz
<b>Response value of thermoresistor</b>	3 400 ... 3 800 $\Omega$

#### Supply voltage:

<b>Type of voltage of the supply voltage</b>	AC/DC
--	-------

#### Certificates/ approvals:

<b>General Product Approval</b>	<b>EMC</b>	<b>Declaration of Conformity</b>
---------------------------------	------------	----------------------------------



[sonstig](#)

[sonstig](#)



#### Further information

##### Information- and Downloadcenter (Catalogs, Brochures,...)

<http://www.siemens.com/industrial-controls/catalogs>

##### Industry Mall (Online ordering system)

<http://www.siemens.com/industrymall>

##### Cax online generator

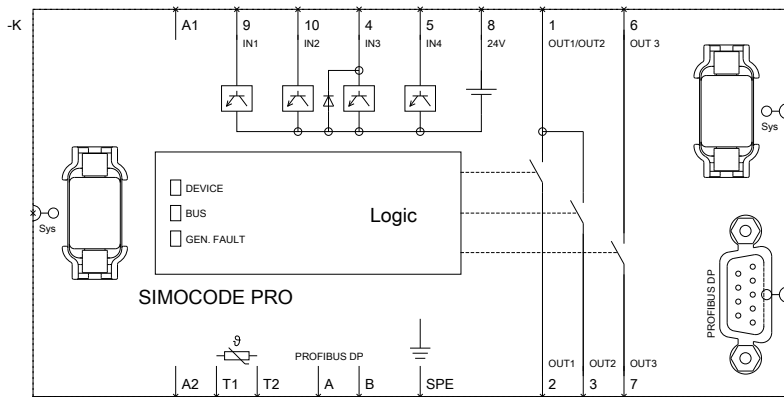
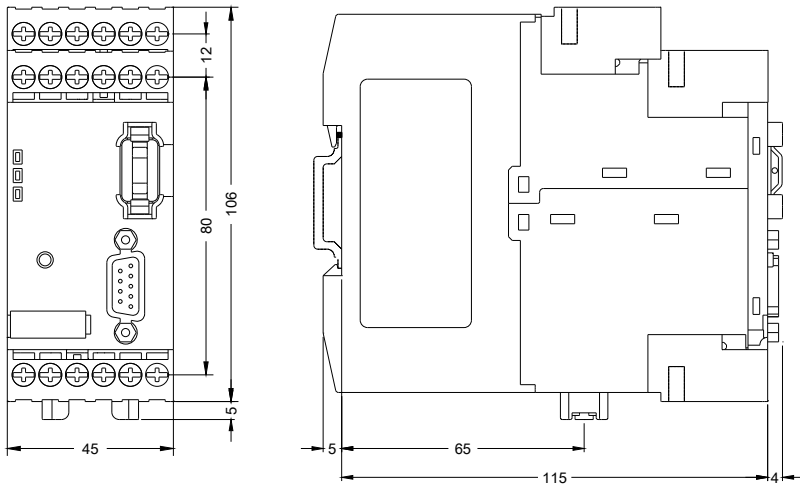
<http://support.automation.siemens.com/WW/CAXorder/default.aspx?lang=en&mlfb=6AG10101AU004AA0>

##### Service&Support (Manuals, Certificates, Characteristics, FAQs,...)

<https://support.industry.siemens.com/cs/ww/en/ps/6AG10101AU004AA0>

##### Image database (product images, 2D dimension drawings, 3D models, device circuit diagrams, EPLAN macros, ...)

[http://www.automation.siemens.com/bilddb/cax\\_de.aspx?mlfb=6AG10101AU004AA0&lang=en](http://www.automation.siemens.com/bilddb/cax_de.aspx?mlfb=6AG10101AU004AA0&lang=en)



last modified:

07.12.2015