

IE-CD-V14MRJ-C-MA

Weidmüller Interface GmbH & Co. KG
Klingenbergstraße 26
D-32758 Detmold
Germany

www.weidmueller.com



Junction box / coupling, design for FreeCon PushPull
plug-in connectors ver.14 according to IEC 61076-3-117

General ordering data

Version	Junction box, FreeCon, RJ45, Plug-in connector, IP65
Order No.	1068870000
Type	IE-CD-V14MRJ-C-MA
GTIN (EAN)	4032248823895
Qty.	1 pc(s).

Creation date March 22, 2021 10:29:01 PM CET

Catalogue status 12.03.2021 / We reserve the right to make technical changes.

IE-CD-V14MRJ-C-MA**Weidmüller Interface GmbH & Co. KG**

Klingenbergstraße 26

D-32758 Detmold

Germany

www.weidmueller.com

Technical data**Dimensions and weights**

Depth	60 mm	Depth (inches)	2.362 inch
Height	52 mm	Height (inches)	2.047 inch
Net weight	286.47 g	Width	41 mm
Width (inches)	1.614 inch		

Temperatures

Operating temperature	-40 °C...70 °C
-----------------------	----------------

Environmental Product Compliance

REACH SVHC	Lead 7439-92-1
------------	----------------

General data

Colour	silver	Housing main material	Aluminium profile, Cover: die-cast zinc, nickel plated
Protection degree	IP65	UL 94 flammability rating	V-0

Technical data RJ45 coupling

Category (RJ45 coupling)	Cat.6 _A / Class E _A (ISO/IEC 11801 2010)	Contact resistance (RJ45 coupling)	≤ 20 mΩ
Contact surface (RJ45 coupling)	Gold over nickel	Current carrying capability (RJ45 coupling)	1 A
Dielectric strength, contact – contact, min. (RJ45 coupling)	≥ 1000 V DC	Dielectric strength, contact – shielding, max. (RJ45 coupling)	≥ 1500 V DC
Housing base material (RJ45 coupling)	Zinc diecast, PA 66	Insulation resistance (RJ45 coupling)	> 500 MΩ

General standards

Certificate no. (cULus)	E316369	Connector standard	IEC 61076-3-117 Var. 14, IEC 60603-7-5
-------------------------	---------	--------------------	--

Classifications

ETIM 6.0	EC000437	ETIM 7.0	EC000437
ECLASS 9.0	27-44-02-02	ECLASS 9.1	27-44-03-92
ECLASS 10.0	27-44-02-02	ECLASS 11.0	27-44-02-02

Approvals

Approvals



ROHS	Conform
UL File Number Search	E316369

Creation date March 22, 2021 10:29:01 PM CET

Catalogue status 12.03.2021 / We reserve the right to make technical changes.

2

IE-CD-V14MRJ-C-MA

Weidmüller Interface GmbH & Co. KG
Klingenbergstraße 26
D-32758 Detmold
Germany

www.weidmueller.com

Technical data**Downloads**

Approval/Certificate/Document of Conformity	ISO/IEC and TIA/EIA DE ISO/IEC EN and TIA/EIA Screened Class E Category 6, 3 connector permanent link ISO/IEC EN and TIA/EIA Screened Class E Category 6, 4 connector channel ISO/IEC EN and TIA/EIA Screened Class EA Category 6A, 2 connector channel DUXR.E316369 PROFINET Manufacturer's Declaration
Engineering Data	STEP
User Documentation	MAN IE GUIDE DE MAN IE GUIDE EN

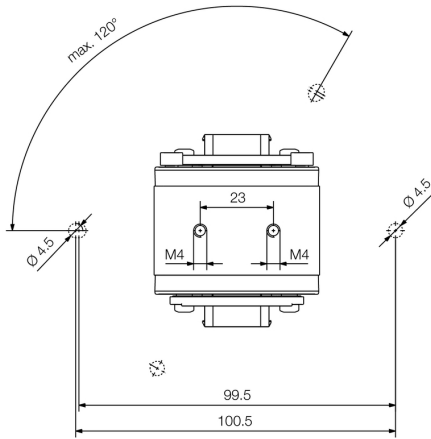
IE-CD-V14MRJ-C-MA

Weidmüller Interface GmbH & Co. KG
 Klingenbergstraße 26
 D-32758 Detmold
 Germany

www.weidmueller.com

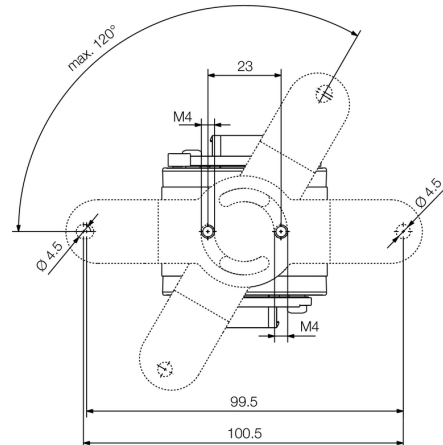
Drawings

Dimensioned drawing



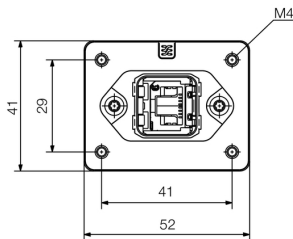
Bottom view

Dimensioned drawing



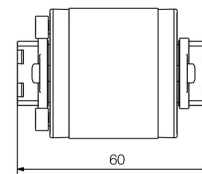
Bottom view with mounting foot

Dimensioned drawing



Front view

Dimensioned drawing



Side view