

SIEMENS

Product data sheet

6FC9320-5DC01


Abb. ähnlich

SINUMERIK ACCESSORIES ELECTRONIC
 HANDWHEEL FRONT PANEL 76.2 X 76.2 MM
 OPERATING VOLTAGE: 5 V DC SIGNAL LEVEL:
 RS422 (TTL)

operating voltage	
• at DC encoder	5 ... 5 V
operating voltage / at DC encoder / tolerance +- • minus	5 %
• plus	5 %
power consumption / max.	0.3 W
Current consumption / without load max.	60 mA
relative humidity	
• operation	5 ... 80% at 25 °C
ambient temperature	
• when stored	-40 ... +85 °C
• when transported	-40 ... +85 °C
ambient temperature	
• during operation	0 ... 70 °C
scanning frequency / max.	2 kHz

cable length / to sequence electronics / max.	25 m
dimension	
• width	76 mm
• depth	77.5 mm
• enclosure outside diameter	50 mm
Length	76 mm
• of the housing	76 mm
weight / approx.	0.4 kg

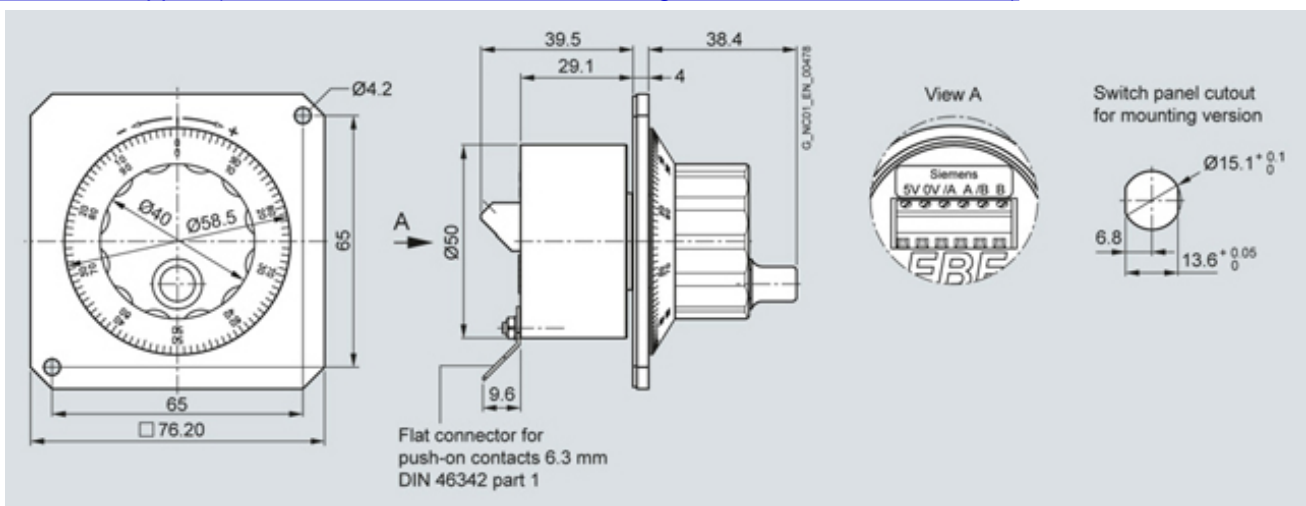
Weitere Informationen

[Informations- und Downloadcenter der Industrie Automation und Antriebstechnik](#)

[Technische Dokumentation \(Motion Control\)](#)

[Industry Mall \(Online-Bestellsystem\)](#)

[Service & Support \(FAQs, Handbücher, Betriebsanleitungen, Zertifikate, Kennlinien, ...\)](#)



letzte Änderung:

Mar 3, 2014