

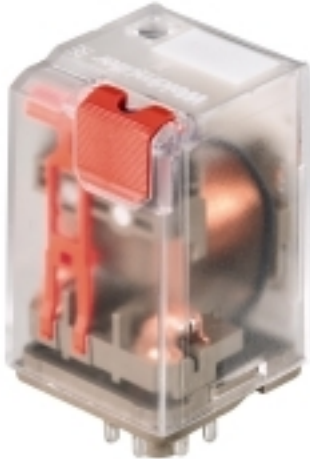
RRD326048**Weidmüller Interface GmbH & Co. KG**

Klingenbergstraße 26

D-32758 Detmold

Germany

www.weidmueller.com

Product image

Similar to illustration

General ordering data

Version	RIDERSERIES RRD, Relay, Number of contacts: 3, CO contact with test button AgNi 90/10, Rated control voltage: 48 V AC, Continuous current: 10 A, Plug-in connection
Order No.	8690470000
Type	RRD326048
GTIN (EAN)	4032248361090
Qty.	25 pc(s).

Creation date March 29, 2021 11:07:28 PM CEST

Catalogue status 12.03.2021 / We reserve the right to make technical changes.

RRD326048

Weidmüller Interface GmbH & Co. KG

Klingenbergstraße 26

D-32758 Detmold

Germany

www.weidmueller.com

Technical data

Dimensions and weights

Depth	57 mm	Depth (inches)	2.244 inch
Height	35.5 mm	Height (inches)	1.398 inch
Net weight	87.76 g	Width	35.5 mm
Width (inches)	1.398 inch		

Temperatures

Storage temperature	-40 °C...60 °C	Operating temperature	-40 °C...50 °C
Humidity	40 °C / 93 % rel. humidity, no condensation		

Rated data UL

Certificate No. (cURus)	E224238
-------------------------	---------

Control side

Coil resistance	345 Ω ± 10 %	Power rating	2.3 VA
Pull-in/drop-out voltage, typ.	38.4 V / 14.4 V AC	Rated control voltage	48 V AC
Rated current AC	47.5 mA		

Load side

AC switching capacity (resistive), max.	2500 VA	Continuous current	10 A
DC switching capacity (resistive), max.	240 W @ 24 V	Inrush current	20 A / 20 ms
Max. switching frequency at rated load	0.1 Hz	Max. switching voltage, AC	400 V
Min. switching power	1 mA @ 24 V, 10 mA @ 12 V, 100 mA @ 5 V	Rated switching voltage	250 V AC
Switch-off delay	≤ 10 ms	Switch-on delay	≤ 15 ms

Contact data

Contact type	3 CO contact with test button (AgNi 90/10)	Mechanical service life	20 x 10 ⁶ switching cycles
--------------	--	-------------------------	---------------------------------------

General data

Test button	yes (lockable)	Mechanical switch position indicator	Yes
Colour	Transparent	UL 94 flammability rating	V-2

Insulation coordination

Creepage and clearance distance input – output	≤ 3 mm	Dielectric strength of neighbouring contacts	2.5 kV _{eff} / 1 Min.
Dielectric strength of open contact	1.5 kV _{eff} / 1 min.	Dielectric strength, Input/Output	2.5 kV _{eff} / 1 Min.
Impulse withstand voltage	2.5 kV (1.2/50 μs)	Insulating material group	IIIa
Pollution severity	2	Protection degree	IP20
Rated voltage	250 V	Surge voltage category	III

Further details of approvals / standards

Standards	IEC 61810-1, UL508	Certificate No. (CSA)	249409-2426937
Certificate No. (VDE)	40011757	Certificate No. (cURus)	E224238

RRD326048

Weidmüller Interface GmbH & Co. KG
 Klingenbergstraße 26
 D-32758 Detmold
 Germany

www.weidmueller.com

Technical data

Connection data

Wire connection method Plug-in connection

Classifications

ETIM 6.0	EC001437	ETIM 7.0	EC001437
ECLASS 9.0	27-37-16-01	ECLASS 9.1	27-37-16-01
ECLASS 10.0	27-37-16-01	ECLASS 11.0	27-37-16-01

Approvals

Approvals



ROHS	Conform
UL File Number Search	E224238

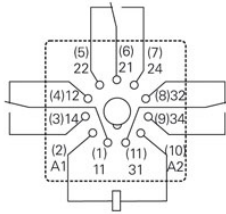
Downloads

Approval/Certificate/Document of Conformity	EU Konformitätserklärung / EU Declaration of Conformity
Engineering Data	EPLAN, WSCAD

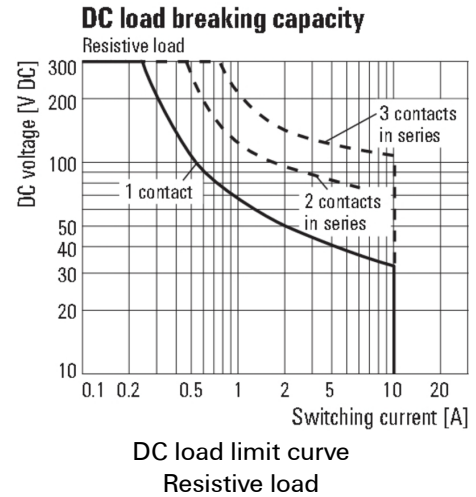
Drawings

Wiring diagram

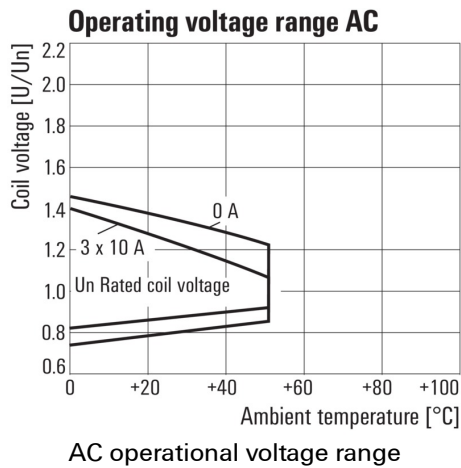
Circuit diagram
View of connections



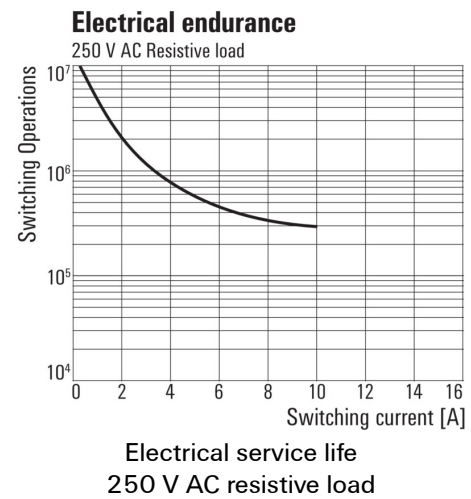
Graph



Graph



Graph



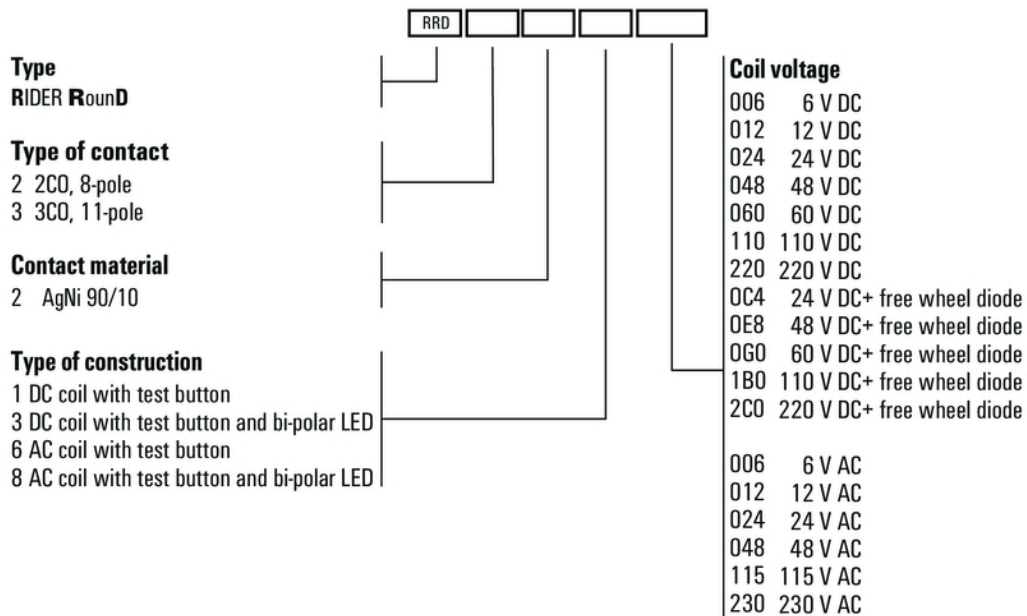
RRD326048

Weidmüller Interface GmbH & Co. KG
 Klingenbergstraße 26
 D-32758 Detmold
 Germany

Drawings

www.weidmueller.com

Miscellaneous



Type codes