



TIME RELAY, SOLID-STATE, ON-DELAY,  
1 CO, 1 TIME RANGE 0.05S...1S, AC 24,  
230V AND DC 24V, WITH LED,  
SCREW TERMINAL

General technical data:		
<b>product brand name</b>		SIRIUS
<b>Product designation</b>		timing relay
<b>Adjustable time</b>	s	0.05 ... 1
<b>Protection class IP</b>		
• on the front		IP40
• of the terminal		IP20
<b>Resistance against shock</b>		15g / 11 ms
<b>Degree of pollution</b>		2
<b>mounting position</b>		any
<b>Supply voltage / strictly required / auxiliary voltage</b>		No
<b>Product function</b>		
• star-delta circuit		No
• with auxiliary voltage / pulse-shaping		No
• at the relay outputs / changeover delayed/without delay		No
<b>Product component / semi-conductor output</b>		No
<b>Product extension</b>		
• optional / remote control		No
• strictly required / remote control		No
<b>Installation altitude / at a height over sea level / maximum</b>	m	2,000

<b>Ambient temperature</b>		
• during storage	°C	-40 ... +70
• during operating	°C	-25 ... +55
• during transport	°C	-40 ... +70
<b>Relative humidity</b>		
• during operating phase	%	15 ... 85
<b>EMC immunity to interference / according to IEC 60947-1</b>		corresponds to degree of severity 3
<b>EMC emitted interference / according to IEC 60947-1</b>		IEC61000-6-3 (residential area)
<b>Conductor-bound parasitic coupling BURST / according to IEC 61000-4-4</b>		2 kV network connection / 1 kV control connection
<b>Conductor-bound parasitic coupling conductor-earth SURGE / according to IEC 61000-4-5</b>		2 kV
<b>Conductor-bound parasitic coupling conductor-conductor SURGE / according to IEC 61000-4-5</b>		1 kV
<b>Electrostatic discharge / according to IEC 61000-4-2</b>		4 kV contact discharge / 8 kV air discharge
<b>Field-bound parasitic coupling / according to IEC 61000-4-3</b>		10 V/m
<b>Resistance against vibration</b>		10 ... 55 Hz / 0.35 mm
<b>Impulse voltage resistance / rated value</b>	V	4,000
<b>Insulation voltage / rated value</b>	V	300
<b>Active power loss / total / typical</b>	W	2
<b>Reference code</b>		
• according to DIN 40719 extended according to IEC 204-2 / according to IEC 750		K
• according to DIN EN 61346-2		K

### Switching Function:

<b>Switching function</b>		
• making pulse contact		No
• firmly clocked beginning with pulse		No
• impuls variably clocked start with pause		No
• relapse delayed		No
• variably clocked start with impulse		No
• with control signal		
• passing break contact		No
• OFF delay		No
• slow-operating/instantaneous contact		No
• making pulse contact/instantaneous contact		No
• firmly clocked beginning with pause		No
• with control signal		
• additive ON delay		No
• passing break contact/instantaneous		No

<ul style="list-style-type: none"> <li>• without control signal / OFF delay</li> </ul>	No
<ul style="list-style-type: none"> <li>• slow-operating</li> </ul>	Yes
<ul style="list-style-type: none"> <li>• with control signal <ul style="list-style-type: none"> <li>• OFF delay/instantaneous</li> <li>• ON delay/OFF delay/instantaneous</li> </ul> </li> </ul>	No
<ul style="list-style-type: none"> <li>• firmly clocked beginning with pause/instantaneous contact</li> </ul>	No
Switching function / with control signal / pulse-shaping/instantaneous	No
<ul style="list-style-type: none"> <li>• with control signal <ul style="list-style-type: none"> <li>• pulse-shaping</li> <li>• ON-delay/instantaneous</li> </ul> </li> </ul>	No

#### Control circuit:

<b>Voltage type / of control feed voltage</b>		AC/DC
<b>Control supply voltage frequency / 1</b>		
<ul style="list-style-type: none"> <li>• initial rated value</li> </ul>	Hz	50
<ul style="list-style-type: none"> <li>• final rated value</li> </ul>	Hz	60
<b>Control supply voltage / 1</b>		
<ul style="list-style-type: none"> <li>• at 50 Hz / for AC</li> </ul>	V	200 ... 240
<ul style="list-style-type: none"> <li>• at 60 Hz / for AC</li> </ul>	V	200 ... 240
<ul style="list-style-type: none"> <li>• for DC <ul style="list-style-type: none"> <li>• rated value</li> </ul> </li> </ul>	V	24
<b>Control supply voltage / 2</b>		
<ul style="list-style-type: none"> <li>• at 50 Hz / for AC <ul style="list-style-type: none"> <li>• rated value</li> </ul> </li> </ul>	V	24
<ul style="list-style-type: none"> <li>• at 60 Hz / for AC <ul style="list-style-type: none"> <li>• rated value</li> </ul> </li> </ul>	V	24
<b>Operating range factor control supply voltage rated value / of the solenoid</b>		
<ul style="list-style-type: none"> <li>• initial value</li> </ul>		0.85
<ul style="list-style-type: none"> <li>• final value</li> </ul>		1.1

#### Auxiliary circuit:

<b>Operating current / of the auxiliary contacts</b>		
<ul style="list-style-type: none"> <li>• at AC-15 / at 24 V</li> </ul>	A	3
<ul style="list-style-type: none"> <li>• at AC-15 / at 250 V</li> </ul>	A	3
<ul style="list-style-type: none"> <li>• at DC-13 <ul style="list-style-type: none"> <li>• at 24 V</li> <li>• at 125 V</li> <li>• at 250 V</li> <li>• maximum</li> </ul> </li> </ul>	A	1
	A	0.22
	A	0.1
	A	1
<b>Number of NC contacts</b>		

• delayed switching		0
• non-delayed		0
<b>Number of NO contacts</b>		
• delayed switching		0
• non-delayed		0
<b>Number of change-over switches</b>		
• delayed switching		1
• non-delayed		0

#### Short-circuit:

**Design of the fuse link / for short-circuit protection of the auxiliary switch / required**

fuse gL/gG: 4 A

#### Installation/mounting/dimensions:

<b>Mounting type</b>		snap-on fastening on 35 mm standard rail
<b>Width</b>	mm	17.5
<b>Height</b>	mm	90
<b>Depth</b>	mm	66.7
<b>Distance, to be maintained, to the ranks assembly</b>		
• upwards	mm	0
• downwards	mm	0
• forwards	mm	0
• backwards	mm	0
• sideways	mm	0
<b>Distance, to be maintained, to earthed part</b>		
• upwards	mm	0
• downwards	mm	0
• forwards	mm	0
• backwards	mm	0
• sideways	mm	0
<b>Distance, to be maintained, conductive elements</b>		
• upwards	mm	0
• downwards	mm	0
• forwards	mm	0
• backwards	mm	0
• sideways	mm	0

#### Connections:

**Design of the electrical connection**

- jumper socket
- for auxiliary and control current circuit

No

screw-type terminals

<b>Type of the connectable conductor cross-section</b> <ul style="list-style-type: none"> <li>• for auxiliary contacts <ul style="list-style-type: none"> <li>• solid</li> <li>• finely stranded <ul style="list-style-type: none"> <li>• with conductor end processing</li> <li>• without conductor final cutting</li> </ul> </li> </ul> </li> <li>• for AWG conductors / for auxiliary contacts</li> </ul>		1x (0.2 ... 2.5 mm <sup>2</sup> )  0.25 ... 1.5 mm <sup>2</sup> 1x (0.2 ... 1.5 mm <sup>2</sup> )  1x (24 ... 14)
<b>Connectable conductor cross-section / for auxiliary contacts</b> <ul style="list-style-type: none"> <li>• single- or multi-stranded</li> <li>• finely stranded <ul style="list-style-type: none"> <li>• with conductor end processing</li> <li>• without conductor final cutting</li> </ul> </li> </ul>	mm <sup>2</sup>  mm <sup>2</sup>  mm <sup>2</sup>	0.2 ... 2.5  0.25 ... 1.5  0.2 ... 1.5
<b>AWG number / as coded connectable conductor cross-section</b> <ul style="list-style-type: none"> <li>• for auxiliary contact</li> </ul>		14 ... 24

**General Product Approval**
**Declaration of Conformity**


CCC



UL



EG-Konf.

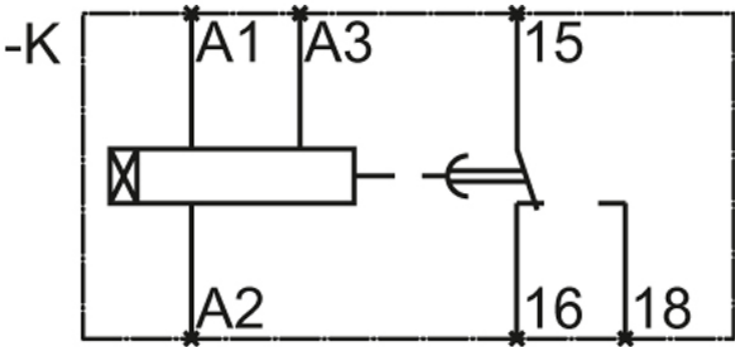
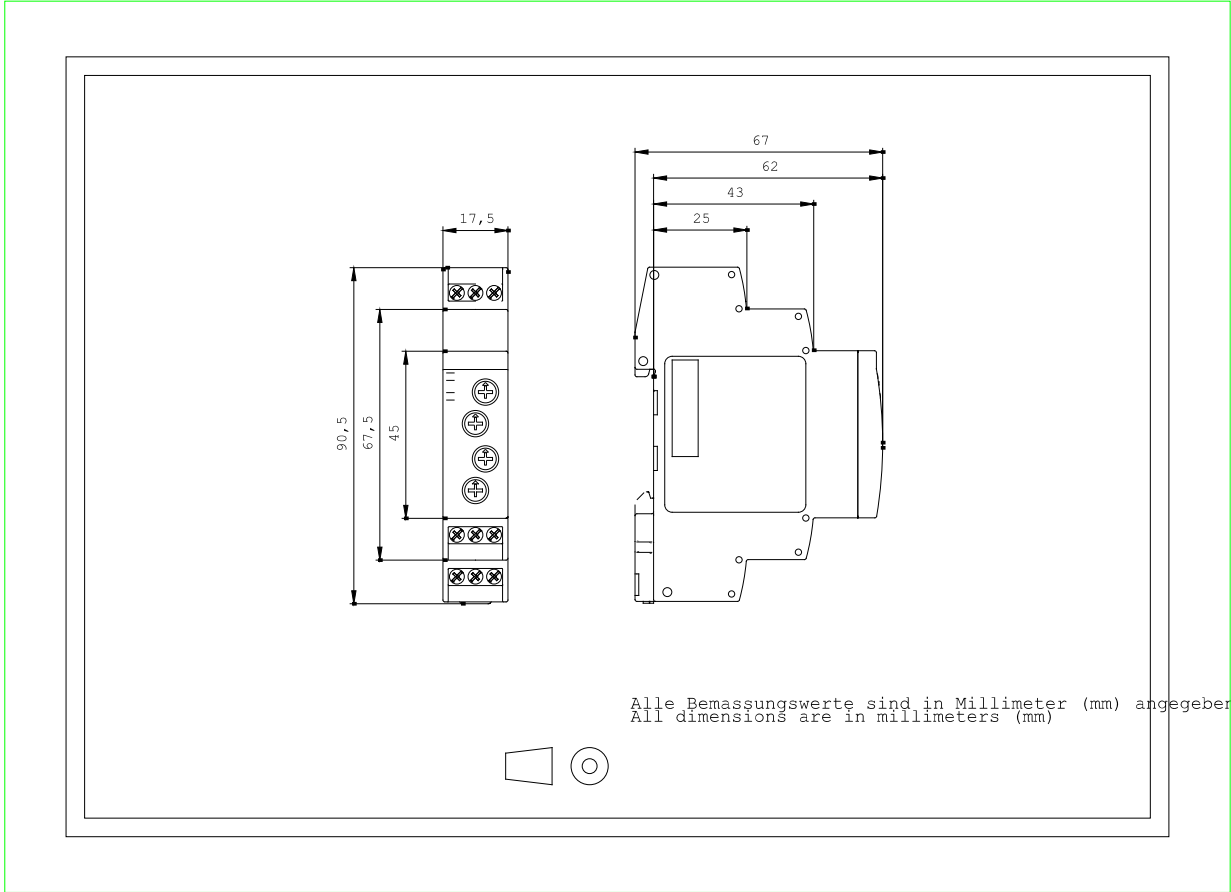
**Safety:**
**Category / according to EN 954-1**

none

**Protection against electrical shock**

finger-safe

**Further information:**
**Information- and Downloadcenter (Catalogs, Brochures,...)**
<http://www.siemens.com/industrial-controls/catalogs>
**Industry Mall (Online ordering system)**
<http://www.siemens.com/industrial-controls/mall>
**Cax online generator:**
<http://www.siemens.com/cax>
**Service&Support (Manuals, Certificates, Characteristics, FAQs,...)**
<http://support.automation.siemens.com/WW/view/en/7PV1511-1AP30/all>
**Image database (product images, 2D dimension drawings, 3D models, device circuit diagrams, ...)**
[http://www.automation.siemens.com/bilddb/cax\\_en.aspx?mlfb=7PV1511-1AP30](http://www.automation.siemens.com/bilddb/cax_en.aspx?mlfb=7PV1511-1AP30)



last change:

Jun 16, 2014