





ALPHA 400 DIN,
WALL-MOUNTING DISTRIBUTOR, AP-CUBICLE,
RAL 9016, IP55, SK1, H= 950 W=550 D=210

Similar to image

Technical data:

Width	mm	550
Height	mm	950
Depth	mm	210
RAL color number		9016
Protection class IP		IP55
Design of the cap/top cover		closed
Mounting depth	mm	210
Surface processing		powder-coated
Acceptability for application / for outside use		No
Suitability for interaction / lightning protection		No
Material / of the enclosure		sheet steel/plastic
Product component		
• cable entry		Yes
• Mounting plate		No
Product extension / optional / Sequence		Yes

Certificates/approvals:

General Product Approval	Declaration of Conformity	Test Certificates	
 GOST	 EG-Konf.	Special Test Certificate	Type Test Certificates/Test Report

Further information:

Information- and Downloadcenter (Catalogs, Brochures,...)

<http://www.siemens.com/lowvoltage/catalogs>

Industry Mall (Online ordering system)

<https://eb.automation.siemens.com/mall/en/WW/Catalog/Product/8GK1123-4KK22>

Service&Support (Manuals, Certificates, Characteristics, FAQs,...)

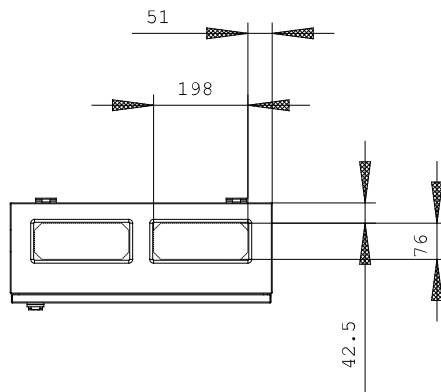
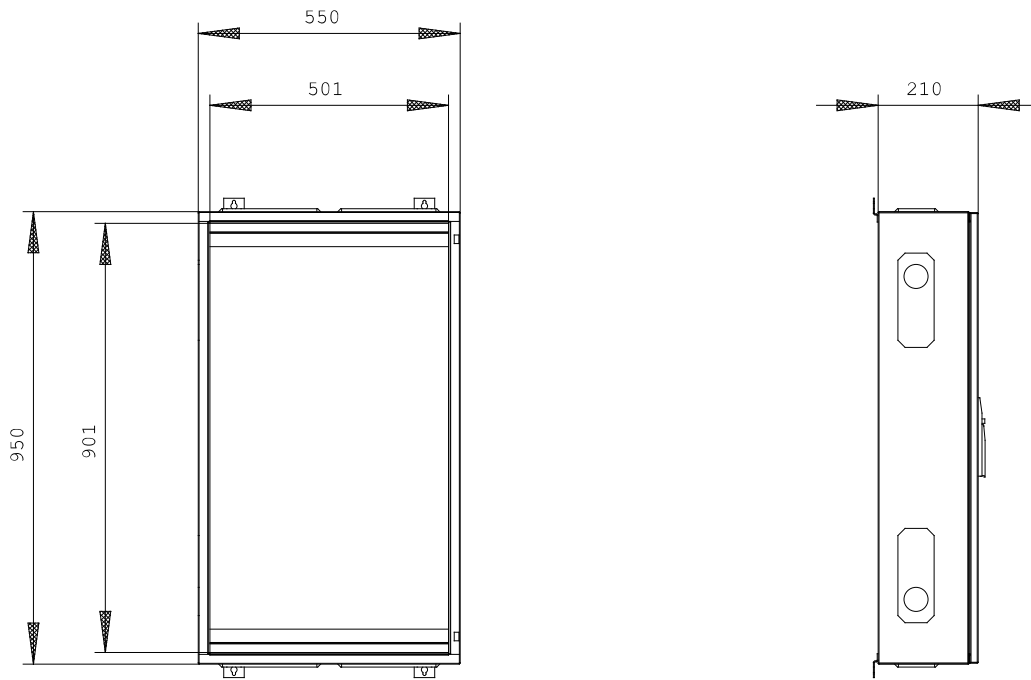
<http://support.automation.siemens.com/WW/view/en/8GK1123-4KK22/all>

Image database (product images, 2D dimension drawings, 3D models, device circuit diagrams, ...)

http://www.automation.siemens.com/bilddb/cax_en.aspx?mlfb=8GK1123-4KK22

CAX-Online-Generator

<http://www.siemens.com/cax>



last change:

Oct 8, 2012