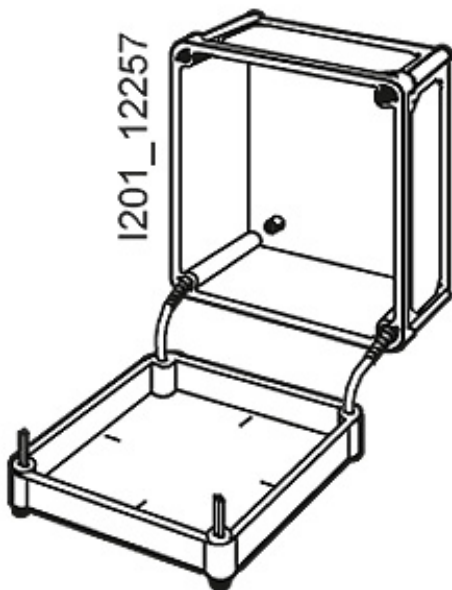


HINGED COVER SCREWS CONSISTS OF 2 PIECES



Similar to image

**Technical data:**

Accessories

others

**Certificates/approvals:**

General Product Approval

Declaration of Conformity

Test Certificates



GOST



EG-Konf.

[Special Test Certificate](#)

**Further information:**

**Information- and Downloadcenter (Catalogs, Brochures,...)**

<http://www.siemens.com/lowvoltage/catalogs>

**Industry Mall (Online ordering system)**

<https://eb.automation.siemens.com/mall/en/WW/Catalog/Product/8HP1811>

**Service&Support (Manuals, Certificates, Characteristics, FAQs,...)**

<http://support.automation.siemens.com/WW/view/en/8HP1811/all>

**Image database (product images, 2D dimension drawings, 3D models, device circuit diagrams, ...)**

[http://www.automation.siemens.com/bilddb/cax\\_en.aspx?mlfb=8HP1811](http://www.automation.siemens.com/bilddb/cax_en.aspx?mlfb=8HP1811)

**CAX-Online-Generator**

<http://www.siemens.com/cax>

last change:

Jun 30, 2014