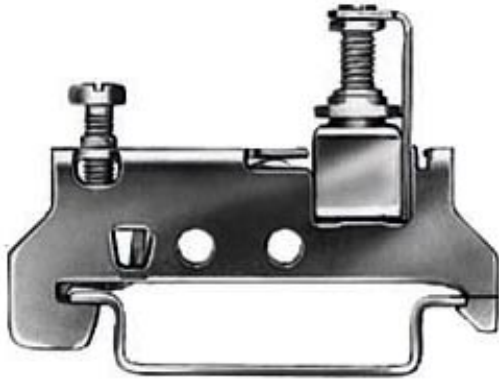


PE TERMINAL,BLANK,
SIZE 6 1 SCREW TERMINAL



Similar to image

Technical data:		
Mounting type		DIN rail 35 mm
Length	mm	51
Color		miscellaneous
Height / with lowest-profile installation	mm	25
Number of terminal levels		1
Number of terminal points / per terminal level		1
Product feature / PEN function		No
Combustibility class acc. to UL 94		V2
Terminal contact spacing	mm	6
Position / of terminal		lateral
Product component / required / connection plate		No
Ambient temperature		
• during operating	°C	-25 ... +55
Design of the electrical connection		
• 1		screw-type terminal
• 2		screw-type terminal
Conductor cross-section that can be connected		
• solid	/ mm ²	6

- multibrin
- finely stranded
 - with wire end processing
 - without wire end processing

/ mm ²	6
/ mm ²	6
/ mm ²	6

Certificates/approvals:

General Product Approval

Declaration of Conformity

other



[other](#)

[Environmental Confirmations](#)

Further information:

Information- and Downloadcenter (Catalogs, Brochures,...)

<http://www.siemens.com/lowvoltage/catalogs>

Industry Mall (Online ordering system)

<https://eb.automation.siemens.com/mall/en/WW/Catalog/Product/8WA1010-1PH01>

Service&Support (Manuals, Certificates, Characteristics, FAQs,...)

<http://support.automation.siemens.com/WW/view/en/8WA1010-1PH01/all>

Image database (product images, 2D dimension drawings, 3D models, device circuit diagrams, ...)

http://www.automation.siemens.com/bilddb/cax_en.aspx?mlfb=8WA1010-1PH01

CAX-Online-Generator

<http://www.siemens.com/cax>

last change:

Mar 17, 2014