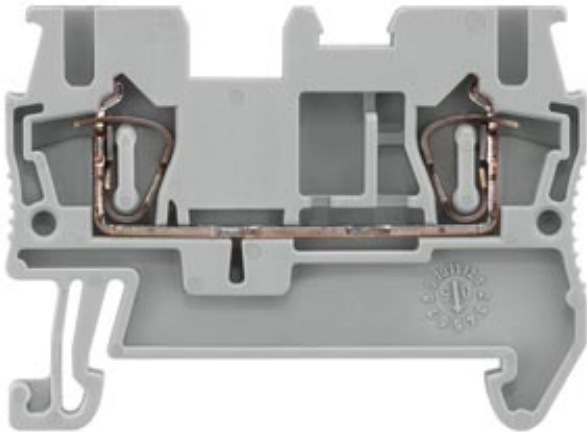


FEED-THROUGH TERMINAL WITH SPRING CONNECTION,
SECTION: 0.08 - 2.5 MM², WIDTH: 5.2 MM,
COLOR: GRAY



Similar to image

Technical data:

Operating current / rated value	A	31
Operating voltage / rated value	V	800
Mounting type		DIN rail 35 mm
Combustibility class acc. to UL 94		V0
Material / of the insulating body		Other
Design of the electrical connection		
• 1		spring-loaded terminal
• 2		spring-loaded terminal
Design tested acc. to type of protection / EEx e		No
Product component / required / connection plate		No
Number of terminal levels		1
Number of terminal points / per terminal level		2
Design of terminal / terminal levels linked internally		No
Terminal contact spacing	mm	5.2
Position / of terminal		top
Color		grey
Ambient temperature		
• during operating	°C	-25 ... +55

Conductor cross-section that can be connected

- solid
- multibrin
- finely stranded
 - without wire end processing
 - with wire end processing

mm ²	4 ... 4
mm ²	4 ... 4
mm ²	2.5 ... 2.5
mm ²	2.5 ... 2.5

Certificates/approvals:**General Product Approval****Declaration of
Conformity****Shipping Approval**

CSA

GOST

UL

EG-Konf.

GL

Further information:**Information- and Downloadcenter (Catalogs, Brochures,...)**<http://www.siemens.com/lowvoltage/catalogs>**Industry Mall (Online ordering system)**<https://eb.automation.siemens.com/mall/en/WW/Catalog/Product/8WH2000-0AF00>**Service&Support (Manuals, Certificates, Characteristics, FAQs,...)**<http://support.automation.siemens.com/WW/view/en/8WH2000-0AF00/all>**Image database (product images, 2D dimension drawings, 3D models, device circuit diagrams, ...)**http://www.automation.siemens.com/bilddb/cax_en.aspx?mlfb=8WH2000-0AF00**CAX-Online-Generator**<http://www.siemens.com/cax>**last change:**

Aug 4, 2014