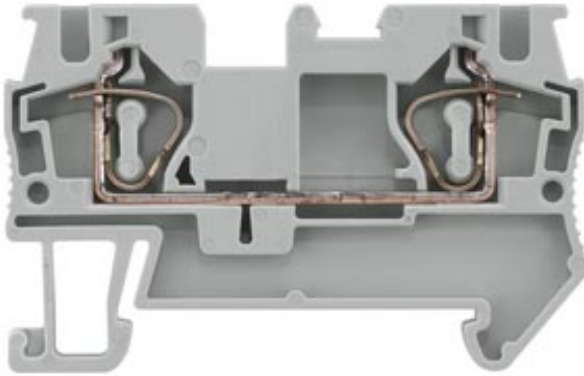


FEED-THROUGH TERMINAL WITH SPRING CONNECTION,
SECTION: 4 SQMM, WIDTH: 6,2 MM,
COLOR:RED



Similar to image

Technical data:

Operating current / rated value	A	40
Operating voltage / rated value	V	800
Mounting type		DIN rail 35 mm
Combustibility class acc. to UL 94		V0
Material / of the insulating body		Other
Design of the electrical connection		
• 1		spring-loaded terminal
• 2		spring-loaded terminal
Design tested acc. to type of protection / EEx e		No
Product component / required / connection plate		No
Number of terminal levels		1
Number of terminal points / per terminal level		2
Design of terminal / terminal levels linked internally		No
Terminal contact spacing	mm	6.2
Position / of terminal		top
Color		red
Ambient temperature		
• during operating	°C	-25 ... +55

Conductor cross-section that can be connected

- solid
- multibrin
- finely stranded
 - without wire end processing
 - with wire end processing

mm ²	6 ... 6
mm ²	6 ... 6
mm ²	4 ... 4
mm ²	4 ... 4

Certificates/approvals:**General Product Approval****Declaration of Conformity****Further information:****Information- and Downloadcenter (Catalogs, Brochures,...)**

<http://www.siemens.com/lowvoltage/catalogs>

Industry Mall (Online ordering system)

<https://eb.automation.siemens.com/mall/en/WW/Catalog/Product/8WH2000-0AG02>

Service&Support (Manuals, Certificates, Characteristics, FAQs,...)

<http://support.automation.siemens.com/WW/view/en/8WH2000-0AG02/all>

Image database (product images, 2D dimension drawings, 3D models, device circuit diagrams, ...)

http://www.automation.siemens.com/bilddb/cax_en.aspx?mlfb=8WH2000-0AG02

CAX-Online-Generator

<http://www.siemens.com/cax>

last change:

Aug 4, 2014