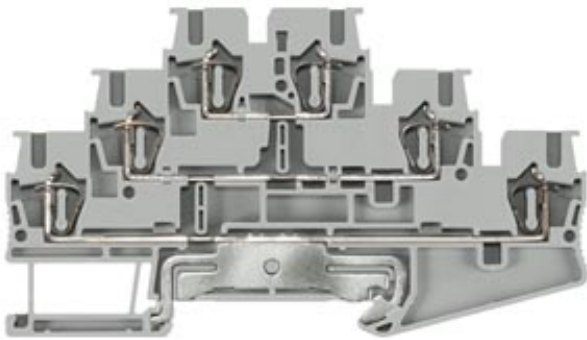


THREE-TIER TERM.2,5 MM2 PE,L,N



Similar to image

Technical data:		
<b>Mounting type</b>		DIN rail 35 mm
<b>Length</b>	mm	99.5
<b>Height / with lowest-profile installation</b>	mm	58
<b>Operating voltage / rated value</b>	V	500
<b>Operating current / rated value</b>	A	24
<b>Combustibility class acc. to UL 94</b>		V0
<b>Insulation material</b>		others
<b>Terminal contact spacing</b>	mm	5.2
<b>Position / of terminal</b>		top
<b>Number of potentials</b>		3
<b>Color / of the insulating body</b>		gray
<b>Product component / required / connection plate</b>		No
<b>Product feature</b>		
• PE function		Yes
• N separation slides		No
• N function		Yes
<b>Product component / Test separator</b>		No
<b>Design of the electrical connection</b>		

• 1		spring-loaded terminal
• 2		spring-loaded terminal
<b>Ambient temperature</b>		
• during operating	/ °C	55
<b>Conductor cross-section that can be connected</b>		
• solid	mm <sup>2</sup>	0.08 ... 4
• multibrin	mm <sup>2</sup>	0.08 ... 2.5
• finely stranded		
• with wire end processing	mm <sup>2</sup>	0.25 ... 2.5
• without wire end processing	mm <sup>2</sup>	0.08 ... 2.5

#### Certificates/approvals:

##### General Product Approval



##### Declaration of Conformity

#### Further information:

##### Information- and Downloadcenter (Catalogs, Brochures,...)

<http://www.siemens.com/lowvoltage/catalogs>

##### Industry Mall (Online ordering system)

<https://eb.automation.siemens.com/mall/en/WW/Catalog/Product/8WH2030-4EF00>

##### Service&Support (Manuals, Certificates, Characteristics, FAQs,...)

<http://support.automation.siemens.com/WW/view/en/8WH2030-4EF00/all>

##### Image database (product images, 2D dimension drawings, 3D models, device circuit diagrams, ...)

[http://www.automation.siemens.com/bilddb/cax\\_en.aspx?mlfb=8WH2030-4EF00](http://www.automation.siemens.com/bilddb/cax_en.aspx?mlfb=8WH2030-4EF00)

##### CAX-Online-Generator

<http://www.siemens.com/cax>

last change:

Mar 17, 2014