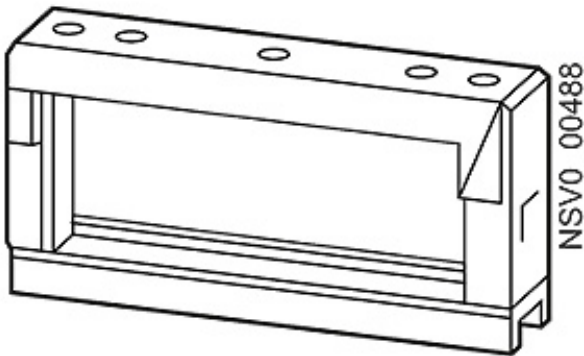


BD2-400-BB FIXING BRACKET



Similar to image

**General technical details:**

<b>Product designation</b>		fixing bracket (accessories) for BD2 busbar trunking system
<b>Product-type designation</b>		BD2-400-BB
<b>Acceptability for application</b>		busbar trunking system

**Mechanical design:**

<b>Mounting type</b>		wall / ceiling / suspension
<b>Length</b>	mm	34
<b>Width</b>	mm	199
<b>Height</b>	mm	68

**Further information:**

**Information- and Downloadcenter (Catalogs, Brochures,...)**

<http://www.siemens.com/lowvoltage/catalogs>

**Global Industry Mall (Online ordering system)**

<http://www.siemens.com/lowvoltage/mall>

**Service&Support (Manuals, Certificates, Characteristics, FAQs,...)**

<http://support.automation.siemens.com/WWW/view/en/BVP:045154/all>

**Image database (product images, 2D dimension drawings, 3D models, device circuit diagrams, ...)**

[http://www.automation.siemens.com/bilddb/cax\\_en.aspx?mlfb=BVP:045154](http://www.automation.siemens.com/bilddb/cax_en.aspx?mlfb=BVP:045154)

last change:

Jul 7, 2014