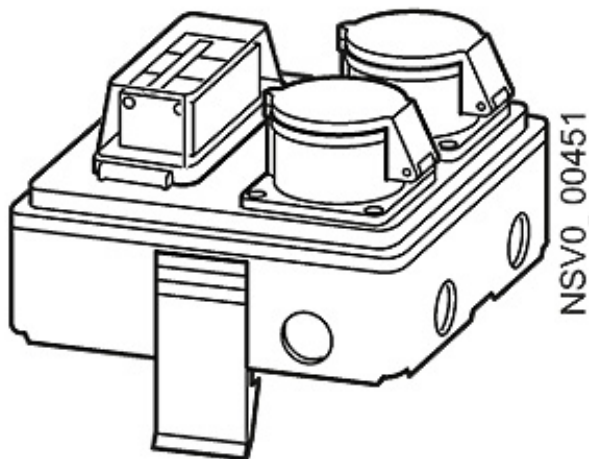


BD2-AK1/2CEE163A161 TAP-OFF UNIT 16A / 2X1P  
MCB(B)+ 2X3P.CEE



Similar to image

**General technical details:**

<b>Product designation</b>		tap-off unit for BD2 busbar trunking system
<b>Product-type designation</b>		BD2-AK1/2CEE163A161
<b>Product function / phase selection</b>		No
<b>Operating current</b>		
• for circuit 1		
• at 50 Hz / for AC / rated value / maximum	A	16
• at 60 Hz / for AC / rated value / maximum	A	16
<b>Operating frequency</b>		
• rated value	Hz	50 ... 60
<b>Operating voltage</b>		
• at 50 Hz / at AC / rated value / maximum	V	230
• at 60 Hz / at AC / rated value / maximum	V	230
<b>Number of CEE sockets</b>		2
<b>Number of safety sockets</b>		0
<b>Number of width units</b>		4
<b>Number of other sockets</b>		0
<b>Number of conductors / without PE</b>		0
<b>Tripping characteristic class</b>		B

**Mechanical design:**

<b>Design of the socket</b>		3-pole 16 A CEE socket
<b>Product component / locking</b>		Yes
<b>Length</b>	mm	190
<b>Width</b>	mm	170
<b>Height</b>	mm	180
<b>Color</b>		light grey
<b>RAL color number</b>		RAL 7035
<b>Product component / outgoing unit for mounting in devices</b>		Yes

**Outgoing unit:**

<b>Design of the outgoing unit</b>		socket
<b>Execution of short-circuit and overloading protection / in the outgoing unit</b>		three 1-pole 16 A miniature circuit-breaker
<b>Size of the outgoing feeder</b>		1
<b>Number of poles / of the outgoing feeder</b>		5

**Ambient conditions:**

<b>Protection class IP</b>		IP54
----------------------------	--	------

**Further information:****Information- and Downloadcenter (Catalogs, Brochures,...)**

<http://www.siemens.com/lowvoltage/catalogs>

**Global Industry Mall (Online ordering system)**

<http://www.siemens.com/lowvoltage/mall>

**Service&Support (Manuals, Certificates, Characteristics, FAQs,...)**

<http://support.automation.siemens.com/WW/view/en/BVP:047231/all>

**Image database (product images, 2D dimension drawings, 3D models, device circuit diagrams, ...)**

[http://www.automation.siemens.com/bilddb/cax\\_en.aspx?mlfb=BVP:047231](http://www.automation.siemens.com/bilddb/cax_en.aspx?mlfb=BVP:047231)

last change:

Jul 7, 2014