

## IE-C5DS4UG0005MBSA20-E

**Weidmüller Interface GmbH & Co. KG**  
Klingenbergstraße 26  
D-32758 Detmold  
Germany

[www.weidmueller.com](http://www.weidmueller.com)



Assembled IE cables, PROFINET, Cat. 5, PUR, green

### General ordering data

Version	System cable, M12 D-code – flange, RJ45 IP 20, Cat.5 (ISO/IEC 11801) / Cat.5e (TIA T568-B), PUR, 0.5 m
Order No.	<a href="#">1234750005</a>
Type	IE-C5DS4UG0005MBSA20-E
GTIN (EAN)	4050118023794
Qty.	1 pc(s).

Creation date March 23, 2021 10:36:58 AM CET

Catalogue status 12.03.2021 / We reserve the right to make technical changes.

**IE-C5DS4UG0005MBSA20-E****Weidmüller Interface GmbH & Co. KG**

Klingenbergstraße 26

D-32758 Detmold

Germany

www.weidmueller.com

**Technical data****Dimensions and weights**

Length	0.5 m	Length (inches)	19.685 inch
Net weight	61 g		

**Temperatures**

Storage temperature	-50 °C...70 °C	Operating temperature	-40 °C...70 °C
Installation temperature	-20 °C...60 °C		

**Environmental Product Compliance**

REACH SVHC	Lead 7439-92-1
------------	----------------

**Cable structure**

Cross-section	4*AWG 22/7 - 0.36 mm <sup>2</sup>	Insulation cross-section	1.5 mm
Material sheath	PUR	Sheath diameter, max.	6.7 mm
Sheathing colour	green (RAL 6018)	Shielding	360° shield contact

**Electrical properties of cable**

Category	Cat.5 (ISO/IEC 11801) / Cat.5e (TIA T568-B)
----------	------------------------------------------------

**Mechanical and material properties of cable**

Abrasion resistance	very good	Min. bending radius, once only	5 x cable diameter
Min. bending radius, repetitive	15 x cable diameter		

**Plug, left**

Connector left	M12 D-code - flange
----------------	---------------------

**Plug, right**

Connector right	RJ45 IP 20
-----------------	------------

**plug**

Connector left	M12 D-code - flange	Connector right	RJ45 IP 20
----------------	---------------------	-----------------	------------

**Classifications**

ETIM 6.0	EC002599	ETIM 7.0	EC002599
ECLASS 9.0	27-06-03-08	ECLASS 9.1	27-06-03-08
ECLASS 10.0	27-06-03-08	ECLASS 11.0	27-06-03-08

**Approvals**

ROHS	Conform
------	---------

**Data sheet****IE-C5DS4UG0005MBSA20-E****Weidmüller Interface GmbH & Co. KG**  
Klingenbergstraße 26  
D-32758 Detmold  
Germany

www.weidmueller.com

**Technical data****Downloads**Approval/Certificate/Document of  
Conformity[PROFINET Manufacturer's Declaration](#)

User Documentation

[MAN IE GUIDE DE](#)  
[MAN IE GUIDE EN](#)

**IE-C5DS4UG0005MBSA20-E**

**Weidmüller Interface GmbH & Co. KG**  
 Klingenbergstraße 26  
 D-32758 Detmold  
 Germany

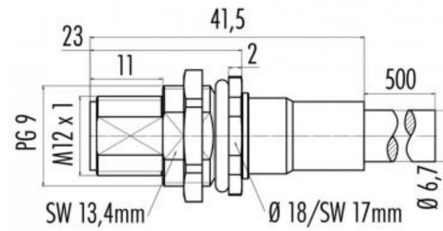
www.weidmueller.com

**Drawings**

**Wiring diagram**

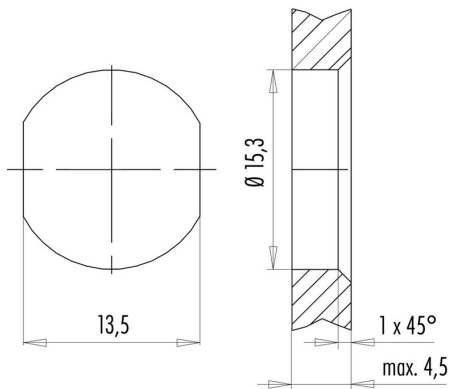
RJ45		M12
1	yellow	1
3	white	2
2	orange	3
6	blue	4

**Dimensioned drawing**



Hexagon nut enclosed loosely

**Dimensioned drawing**



with through hole