

**SAIE-M12S-8-H5.5TL-M16****Weidmüller Interface GmbH & Co. KG**

Klingenbergstraße 26

D-32758 Detmold

Germany

www.weidmueller.com

**Similar to illustration**

Weidmüller is one of the industry's leading international providers of connectors. An important mainstay in this product family are the circular connectors, which Weidmüller groups under the product name SAI. In the development of SAI products, Weidmüller engineers have always concentrated on achieving rational, cost-effective installation concepts, and – in cooperation with major users – have supplied the markets with well-conceived products which set standards in terms of functionality and quality across the globe. The best examples are the new power distributors with S and T coded M12. These modules are characterised by particularly high currents and voltages. This enables them to also be used, for example, with three-phase motors.

**General ordering data**

Version	Built-in plugs, M12, M 16, Number of poles: 8, Rear panel mounting
Order No.	<a href="#">2421800000</a>
Type	SAIE-M12S-8-H5.5TL-M16
GTIN (EAN)	4050118430493
Qty.	10 pc(s).

Creation date March 26, 2021 10:41:53 PM CET

Catalogue status 12.03.2021 / We reserve the right to make technical changes.

**SAIE-M12S-8-H5.5TL-M16**
**Weidmüller Interface GmbH & Co. KG**

Klingenbergstraße 26

D-32758 Detmold

Germany

www.weidmueller.com

**Technical data**
**Dimensions and weights**

Net weight	20 g
------------	------

**Environmental Product Compliance**

REACH SVHC	Lead 7439-92-1
------------	----------------

**Technical data of PCB plug-in connector**

Coding	A		
Housings	M12 pin		
Mounting height	5.5 mm		
Mounting thread	M16		
Number of poles	8		
Shield connection	No		
Type of mounting	Rear panel mounting		
Rated voltage	30 V		
Rated voltage (text)	250 V (4-pole) / 60 V (5-pole) / 30 V (8-pole)		
Rated current	2 A		
Rated current	4 A (4- and 5-pole) / 2 A (8-pole)		
Temperature range	-30...80 °C		
Protection degree	IP67		
Contact surface	Au (Gold)		
Housing main material	CuZn, nickel-plated		
Connection thread	M12		
Tightening torque	M12: 0.8 Nm		
Mounting thread	M16		
Mounting torque	max.	1.2 Nm	
Mounting torque range	1.2 Nm		
Insulation strength	100 MΩ		
Pollution severity	3 (2 within the sealed area)		
Plugging cycles	≥ 100		
Contact material	CuZn		
Lock nut material	Nickel-plated CuZn		
Material of the flange-mounted housing	Nickel-plated CuZn		

**General Info**

Housing main material	CuZn, nickel-plated	Connection thread	M12
Contact material	CuZn	Contact surface	Au (Gold)
Type of mounting	Rear panel mounting	Protection degree	IP67
Plugging cycles	≥ 100		

**Material data**

Contact material	CuZn	Contact surface	Au (Gold)
------------------	------	-----------------	-----------

**System parameters**

Insulation strength	100 MΩ	Number of poles	8
Pin series quantity	1	Plugging cycles	≥ 100
Protection degree	IP67		

Creation date March 26, 2021 10:41:53 PM CET

Catalogue status 12.03.2021 / We reserve the right to make technical changes.

**SAIE-M12S-8-H5.5TL-M16**

**Weidmüller Interface GmbH & Co. KG**  
Klingenbergstraße 26  
D-32758 Detmold  
Germany

www.weidmueller.com

**Technical data****Classifications**

ETIM 6.0	EC002638	ETIM 7.0	EC003568
ECLASS 9.0	27-44-03-09	ECLASS 9.1	27-44-03-09
ECLASS 10.0	27-44-03-09	ECLASS 11.0	27-44-01-10

**Approvals**

ROHS Conform

**Downloads**

Engineering Data [STEP](#)

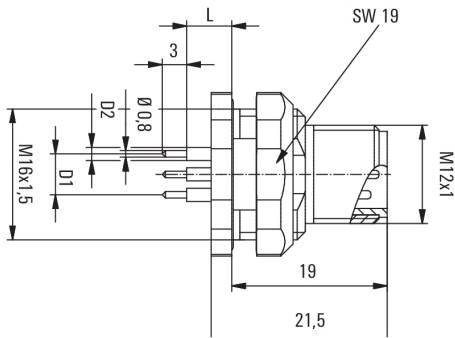
**SAIE-M12S-8-H5.5TL-M16**

**Weidmüller Interface GmbH & Co. KG**  
 Klingenbergstraße 26  
 D-32758 Detmold  
 Germany

www.weidmueller.com

**Drawings**

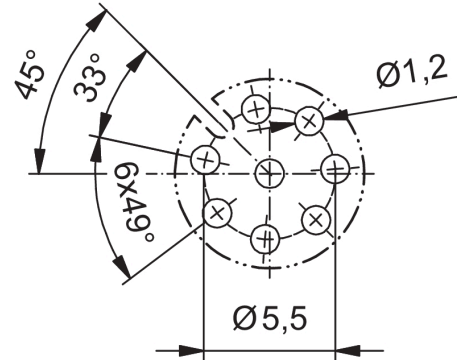
**Dimensioned drawing**



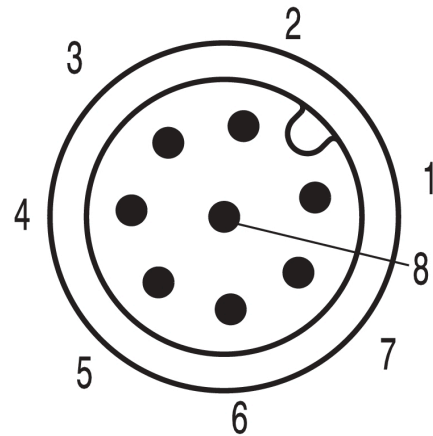
L (board-to-board distance) = 5.5mm

**Front panel section** D1 = 5,5 mm  
 D2 = 1,4 mm

**PCB design**



**Pole scheme**



M12 = A-coded

