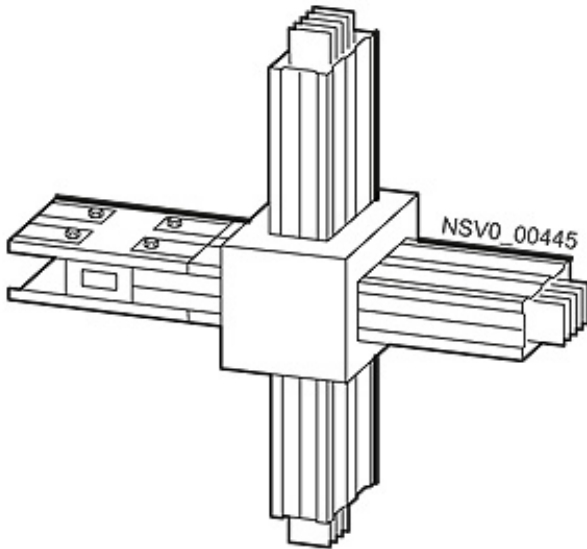


BD2A-1000-KVH JUNCTION UNIT K UNITS FRONT-BAC K  
500-1000A



Similar to image

**General technical details:**

<b>Product designation</b>		cross unit (junction unit) for BD2 busbar trunking system
<b>Product-type designation</b>		BD2A-1000-KVH
<b>Operating current</b>		
• for circuit 1 / at 50 Hz / for AC / rated value / maximum	A	1,000
• for circuit 1 / at 60 Hz / for AC / rated value / maximum	A	1,000
<b>Resistance against the impulse current / at 690 V / rated value</b>	kA	90
<b>Short-time current resistance (I<sub>cw</sub>) / at 690 V</b>		
• limited to 1 s / rated value	kA	34
• limited to 0.1 s / rated value	kA	43
<b>Operating frequency / rated value</b>		
• minimum	Hz	50
• maximum	Hz	60
<b>Operating voltage</b>		
• at 50 Hz / at AC / rated value / maximum	V	690
• at 60 Hz / at AC / rated value / maximum	V	690
<b>Insulation voltage</b>		
• for AC / rated value	V	690
• for DC / rated value	V	800

Number of conductors		5
Number of conductors / without PE		4
Fire resistance class / for fire sealing		Nein
Product component / fire sealing		No

#### Mechanical design:

Conductor cross section / of the (PE)N	mm <sup>2</sup>	699
Mounting type		ceiling / wall
Width	mm	550
Height	mm	184
Color		light grey

#### Busbar:

Configuration of the busbars		L1,L2,L3,L3,N
Material / of the busbar		aluminium

#### Busway section:

Design of the busbar box junction unit / flexible		No
Length of the X-dimension / of the busbar box junction unit		
• minimum	m	0.55
• maximum	m	0.55
Length of the Y-dimension / of the busbar box junction unit		
• minimum	m	0.55
• maximum	m	0.55

#### Ambient conditions:

Protection class IP		IP52
---------------------	--	------

#### Further information:

##### Information- and Downloadcenter (Catalogs, Brochures,...)

<http://www.siemens.com/lowvoltage/catalogs>

##### Global Industry Mall (Online ordering system)

<http://www.siemens.com/lowvoltage/mall>

##### Service&Support (Manuals, Certificates, Characteristics, FAQs,...)

<http://support.automation.siemens.com/WW/view/en/BVP:261802/all>

##### Image database (product images, 2D dimension drawings, 3D models, device circuit diagrams, ...)

[http://www.automation.siemens.com/bilddb/cax\\_en.aspx?mlfb=BVP:261802](http://www.automation.siemens.com/bilddb/cax_en.aspx?mlfb=BVP:261802)

last change:

Jul 7, 2014