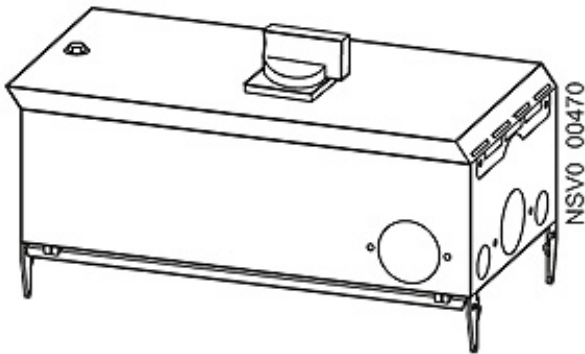


BD2-AK03X/LSD-DC80-N TAP-OFF UNIT 80A / 1X 3 POLE
WITH CIRCUITBREAKER 3VL2708 ROTARY DRIVE



Similar to image

General technical details:

Product designation		tap-off unit for BD2 busbar trunking system
Product-type designation		BD2-AK03X/LSD-DC80-N
Product function / phase selection		No
Operating current		
<ul style="list-style-type: none"> • for circuit 1 <ul style="list-style-type: none"> • at 50 Hz / for AC / rated value / maximum • at 60 Hz / for AC / rated value / maximum 	A A	80 80
Operating frequency		
<ul style="list-style-type: none"> • rated value 	Hz	50 ... 60
Operating voltage		
<ul style="list-style-type: none"> • at 50 Hz / at AC / rated value / maximum • at 60 Hz / at AC / rated value / maximum 	V V	400 400
Number of CEE sockets		0
Number of safety sockets		0
Number of other sockets		0
Number of conductors / without PE		0

Mechanical design:

Design of the socket		Other
-----------------------------	--	-------

Product component / locking		Yes
Length	mm	458
Width	mm	214
Height	mm	243
Color		light grey
RAL color number		RAL 7035
Product component / outgoing unit for mounting in devices		No
Conductor cross section that can be connected • in the outgoing unit	mm ²	2.5 ... 70

Outgoing unit:

Design of the outgoing unit		cable entry
Execution of short-circuit and overloading protection / in the outgoing unit		3-pole 80 A circuit-breaker with rotary drive
Size of the outgoing feeder		03
Number of poles / of the outgoing feeder		5

Ambient conditions:

Protection class IP		IP54
----------------------------	--	------

Further information:

Information- and Downloadcenter (Catalogs, Brochures,...)

<http://www.siemens.com/lowvoltage/catalogs>

Global Industry Mall (Online ordering system)

<http://www.siemens.com/lowvoltage/mall>

Service&Support (Manuals, Certificates, Characteristics, FAQs,...)

<http://support.automation.siemens.com/WW/view/en/BVP:610404/all>

Image database (product images, 2D dimension drawings, 3D models, device circuit diagrams, ...)

http://www.automation.siemens.com/bilddb/cax_en.aspx?mlfb=BVP:610404

last change:

Jul 7, 2014