

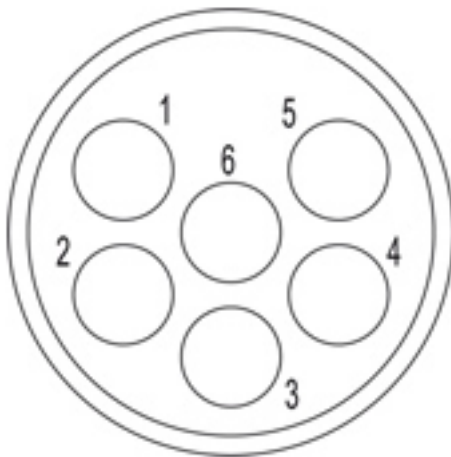
SAI-M23-BE-6**Weidmüller Interface GmbH & Co. KG**

Klingenbergstraße 26

D-32758 Detmold

Germany

www.weidmueller.com

Pinning

The M23 round plug-in connectors offer a high number of mating cycles, high current-carrying capacity and high contact-density coupled with minimum dimensions. Enclosures, inserts and crimp contacts need to be ordered separately.

General ordering data

Version	Sensor/Actuator plug-in connector, Insert
Order No.	1170020000
Type	SAI-M23-BE-6
GTIN (EAN)	4032248962020
Qty.	1 pc(s).

SAI-M23-BE-6

Weidmüller Interface GmbH & Co. KG

Klingenbergstraße 26

D-32758 Detmold

Germany

www.weidmueller.com

Technical data

Dimensions and weights

Net weight 5 g

Technical data customisable plug-in connectors

Coding	none	Housing main material	Thermoplastic polyamide PA 6, PBT
Insulation strength	$> 10^{10} \Omega$	Number of poles	6
Plugging cycles	> 1000	Rated current	2 mm contact= 20 A
Rated voltage (text)	2 mm contact= 300 V	Type of connection	Crimp connection

Classifications

ETIM 6.0	EC000438	ETIM 7.0	EC003557
ECLASS 9.1	27-44-02-05	ECLASS 10.0	27-44-02-23
ECLASS 11.0	27-44-02-23		

Important note

Product information Enclosures, inserts and crimp contacts need to be ordered separately.

Approvals

Approvals



ROHS	Conform
UL File Number Search	E344862

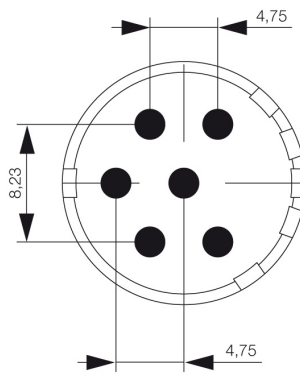
SAI-M23-BE-6

Weidmüller Interface GmbH & Co. KG
 Klingenbergstraße 26
 D-32758 Detmold
 Germany

www.weidmueller.com

Drawings

Dimensioned drawing



Technical data

Number of positions	6	7	9	12	16	17	19		
Number of contacts	6	7	8	1	12	16	17	16	3
Contact	mm	2	2	1	2	1	1	1	1,5