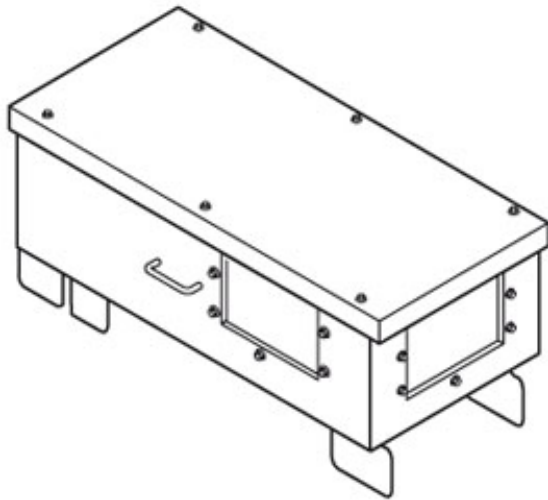


BD2-AK05/GB12R1003 TAP-OFF UNIT 100A / 3 POLE



Similar to image

General technical details:

Product designation		tap-off unit for BD2 busbar trunking system
Product-type designation		BD2-AK05/GB12R1003
Product function / phase selection		No
Operating current		
<ul style="list-style-type: none"> • for circuit 1 <li style="padding-left: 20px;">• at 50 Hz / for AC / rated value / maximum <li style="padding-left: 20px;">• at 60 Hz / for AC / rated value / maximum 	A A	100 100
Operating frequency		
<ul style="list-style-type: none"> • rated value 	Hz	50 ... 60
Operating voltage		
<ul style="list-style-type: none"> • at 50 Hz / at AC / rated value / maximum • at 60 Hz / at AC / rated value / maximum 	V V	400 400
Number of CEE sockets		0
Number of safety sockets		0

Mechanical design:

Product component / locking		Yes
Length	mm	924
Width	mm	494

Height	mm	328
Color		light grey
RAL color number		RAL 7035
Product component / outgoing unit for mounting in devices		No
Conductor cross section that can be connected • in the outgoing unit	mm ²	6 ... 150

Outgoing unit:

Design of the outgoing unit		cable entry
Execution of short-circuit and overloading protection / in the outgoing unit		three 1-pole R100 fuse bases
Size of the outgoing feeder		05
Number of poles / of the outgoing feeder		5

Ambient conditions:

Protection class IP		IP54
----------------------------	--	------

Further information:

Information- and Downloadcenter (Catalogs, Brochures,...)

<http://www.siemens.com/lowvoltage/catalogs>

Global Industry Mall (Online ordering system)

<http://www.siemens.com/lowvoltage/mall>

Service&Support (Manuals, Certificates, Characteristics, FAQs,...)

<http://support.automation.siemens.com/WW/view/en/BVP:611363/all>

Image database (product images, 2D dimension drawings, 3D models, device circuit diagrams, ...)

http://www.automation.siemens.com/bilddb/cax_en.aspx?mlfb=BVP:611363

last change:

Jul 7, 2014