

AMG AM CO**Weidmüller Interface GmbH & Co. KG**

Klingenbergstraße 26

D-32758 Detmold

Germany

www.weidmueller.com



Similar to illustration

Efficient machine and facility operation calls for fail-safe and maintenance-friendly control voltage distribution that can be installed in a time and space-saving manner.

With the new maxGUARD system, the terminal blocks (previously installed separately) for distributing potential to the outputs of the electronic load monitors become an integral part of a 24 V DC control voltage distribution system.

The innovative combination of load monitoring and potential distribution saves time during installation, increases safety against failure and reduces the amount of space required on the terminal rail by 50%.

General ordering data

Version	Alarm module, 24 V DC
Order No.	2082770000
Type	AMG AM CO
GTIN (EAN)	4050118419375
Qty.	1 pc(s).

AMG AM CO

Weidmüller Interface GmbH & Co. KG

Klingenbergstraße 26

D-32758 Detmold

Germany

www.weidmueller.com

Technical data

Dimensions and weights

Depth	96.5 mm	Depth (inches)	3.799 inch
Height	125 mm	Height (inches)	4.921 inch
Net weight	79.4 g	Width	12.2 mm
Width (inches)	0.48 inch		

Temperatures

Storage temperature	-40 °C...85 °C	Operating temperature	-25 °C...55 °C
---------------------	----------------	-----------------------	----------------

Probability of failure

MTTF	550 Years
------	-----------

Environmental Product Compliance

REACH SVHC	Lead 7439-92-1
------------	----------------

Input

Current consumption (full load)	30 mA	Current consumption (idle)	25 mA
DC input voltage range	18...30 V DC	Input fuse (internal)	No
Rated input voltage	24 V DC	Surge protection	Suppressor diode
max. admissible residual ripple at the input	100 mVpp		

Output

Connection system	PUSH IN	Surge protection	Suppressor diode
-------------------	---------	------------------	------------------

General data

Control inputs	No	Operating temperature	-25 °C...55 °C
Surge voltage category	III		

Insulation coordination

Surge voltage category	III
------------------------	-----

Connection data (output)

Conductor cross-section, AWG/kcmil , max.	12	Conductor cross-section, AWG/kcmil , min.	26
Conductor cross-section, flexible , max.	2.5 mm ²	Conductor cross-section, flexible , min.	0.14 mm ²
Conductor cross-section, rigid , max.	2.5 mm ²	Conductor cross-section, rigid , min.	0.14 mm ²
Connection system	PUSH IN	Number of terminals	4 (2 x NO)

Signalling

Floating contact	Yes	Red LED	Alarm
Status relay (max. load)	Alarm (24 V / 0.1 A), I > 90 % (24 V / 0.1 A)	Yellow LED	Current > 90% Inom (flashing)

Approvals

Certificate no. (cULus)	E258476	Institute (cULus)	CULUS
-------------------------	---------	-------------------	-------

Creation date March 26, 2021 10:22:00 PM CET

AMG AM CO

Weidmüller Interface GmbH & Co. KG
 Klingenbergstraße 26
 D-32758 Detmold
 Germany

www.weidmueller.com

Technical data

Classifications

ETIM 6.0	EC002057	ETIM 7.0	EC002057
ECLASS 9.0	27-37-10-16	ECLASS 9.1	27-37-10-16
ECLASS 10.0	27-37-10-16	ECLASS 11.0	27-37-10-16

Approvals

Approvals



ROHS	Conform
UL File Number Search	E258476

Downloads

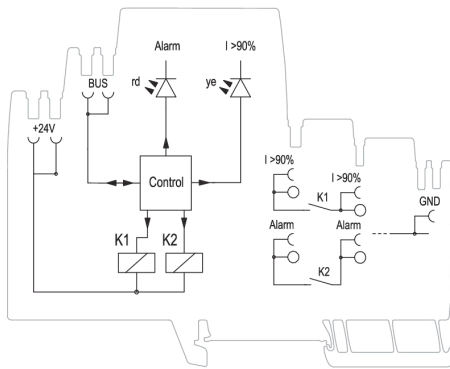
Approval/Certificate/Document of Conformity	Declaration of Conformity
Engineering Data	STEP
Engineering Data	EPLAN
User Documentation	Manual_maxGUARD Operating instructions

AMG AM CO

Weidmüller Interface GmbH & Co. KG
Klingenbergstraße 26
D-32758 Detmold
Germany

www.weidmueller.com

Drawings



Schematic circuit diagram