

**RCM570021****Weidmüller Interface GmbH & Co. KG**

Klingenbergstraße 26

D-32758 Detmold

Germany

www.weidmueller.com

**Product image**

Similar to illustration

**General ordering data**

Version	RIDERSERIES RCM, Relay, Number of contacts: 4, CO contact with test button, Rated control voltage: 21 V DC, 16.8 V DC...24 V DC...30 V DC, Continuous current: 3 A, Plug-in connection
Order No.	<a href="#">8935530000</a>
Type	RCM570021
GTIN (EAN)	4032248711765
Qty.	10 pc(s).

Creation date March 29, 2021 11:47:56 PM CEST

Catalogue status 12.03.2021 / We reserve the right to make technical changes.

## RCM570021

Weidmüller Interface GmbH &amp; Co. KG

Klingenbergstraße 26

D-32758 Detmold

Germany

www.weidmueller.com

## Technical data

## Dimensions and weights

Depth	29 mm	Depth (inches)	1.142 inch
Height	28 mm	Height (inches)	1.102 inch
Net weight	28.65 g	Width	22.5 mm
Width (inches)	0.886 inch		

## Temperatures

Storage temperature	-40 °C...85 °C	Operating temperature	-40 °C...70 °C
---------------------	----------------	-----------------------	----------------

## Control side

Power rating	1 W	Rated control voltage	24 V DC + 25 % / - 30 %
--------------	-----	-----------------------	-------------------------

## Load side

AC switching capacity (resistive), max.	750 VA	Continuous current	3 A
Max. switching current	DC13: 24 V DC / 3 A, AC15: 230 V AC / 2 A	Max. switching frequency at rated load	0.1 Hz
Max. switching voltage, AC	240 V	Min. switching power	1 mA @ 24 V, 10 mA @ 12 V, 100 mA @ 5 V
Rated switching voltage	250 V AC	Switch-off delay	≤ 10 ms
Switch-on delay	≤ 15 ms		

## Contact data

Contact type	4 CO contact with test button
--------------	-------------------------------

## General data

Test button	yes (lockable)	Mechanical switch position indicator	Yes
Colour	Transparent	UL 94 flammability rating	V-2

## Insulation coordination

Creepage and clearance distance input – output	≥ 4 mm	Dielectric strength of neighbouring contacts	2 kV <sub>eff</sub> / 1 min
Dielectric strength of open contact	1.2 kV <sub>eff</sub> / 1 min.	Dielectric strength, Input/Output	2.5 kV <sub>eff</sub> / 1 Min.
Impulse withstand voltage	5 kV (1.2/50 μs)	Insulating material group	IIIa
Pollution severity	2	Protection degree	IP20
Rated voltage	250 V	Surge voltage category	III

## Further details of approvals / standards

Standards	IEC 61810-1	Certificate No. (CSA)	249409-2426937
-----------	-------------	-----------------------	----------------

## Connection data

Wire connection method	Plug-in connection
------------------------	--------------------

## Classifications

ETIM 6.0	EC001437	ETIM 7.0	EC001437
ECLASS 9.0	27-37-16-01	ECLASS 9.1	27-37-16-01
ECLASS 10.0	27-37-16-01	ECLASS 11.0	27-37-16-01

Creation date March 29, 2021 11:47:56 PM CEST

**Data sheet****RCM570021****Weidmüller Interface GmbH & Co. KG**  
Klingenbergstraße 26  
D-32758 Detmold  
Germany

www.weidmueller.com

**Technical data****Approvals**

Approvals



ROHS

Conform

**Downloads**Approval/Certificate/Document of  
Conformity[EU Konformitätserklärung / EU Declaration of Conformity](#)

Engineering Data

[EPLAN, WSCAD](#)

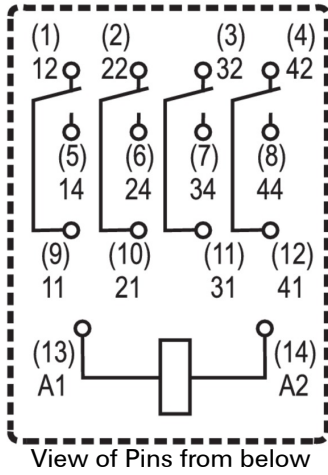
**RCM570021**

**Weidmüller Interface GmbH & Co. KG**  
 Klingenbergstraße 26  
 D-32758 Detmold  
 Germany

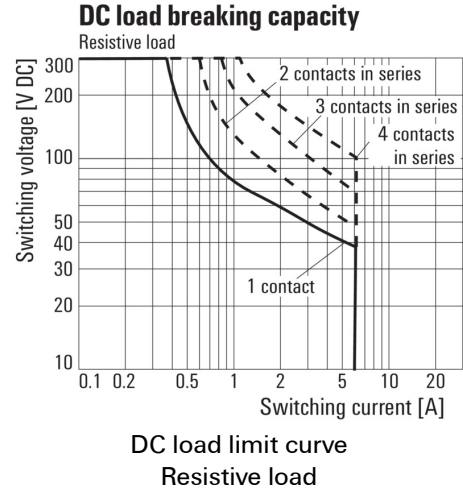
www.weidmueller.com

**Drawings**

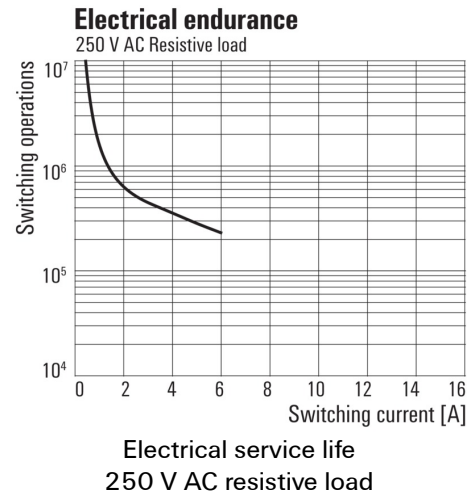
**Wiring diagram**



**Graph**



**Graph**



**Dimensional drawing**

