

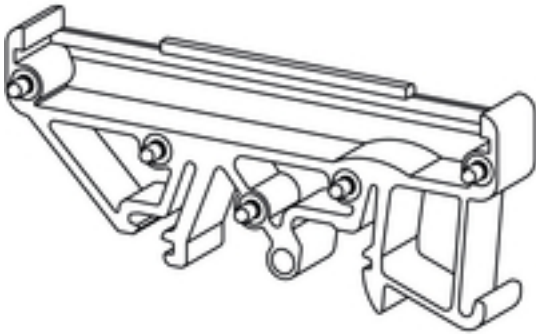
RF RS 70 RE/A4/O.BEZ OR**Weidmüller Interface GmbH & Co. KG**

Klingenbergstraße 26

D-32758 Detmold

Germany

www.weidmueller.com



The RS 70 profile is supplied in fixed lengths. The desired length is obtained by connecting the individual pieces together. The PCB is pushed into the side of the profile. End cover plates close off the sides of the profile.. Elements for terminal rails and direct mounting are available here. The clip-on feet are permanently attached to the profile. Marking options are integrated into the side pieces.

General ordering data

Version	Clip-in foot, RS 70 orange, Clip-in foot, Width: 10 mm
Order No.	0126260000
Type	RF RS 70 RE/A4/O.BEZ OR
GTIN (EAN)	4008190178772
Qty.	20 pc(s).

Creation date March 22, 2021 8:50:23 AM CET

Catalogue status 12.03.2021 / We reserve the right to make technical changes.

RF RS 70 RE/A4/O.BEZ OR

Weidmüller Interface GmbH & Co. KG

Klingenbergstraße 26

D-32758 Detmold

Germany

www.weidmueller.com

Technical data

Dimensions and weights

Height	33.5 mm	Height (inches)	1.319 inch
Height of lowest version	32 mm	Length	70 mm
Length (inches)	2.756 inch	Net weight	5.554 g
Width	10 mm	Width (inches)	0.394 inch

General data

Colour	orange	Colour chart (similar)	RAL 2000
Encapsulation option	No	Protection degree	IP20

Material data

Comparative Tracking Index (CTI)	≥ 600	Insulating material	PA 66
UL 94 flammability rating	V-2		

Classifications

ETIM 6.0	EC002779	ETIM 7.0	EC002779
ECLASS 9.0	27-18-27-90	ECLASS 9.1	27-18-27-90
ECLASS 10.0	27-18-27-92	ECLASS 11.0	27-18-27-92

Approvals

ROHS	Conform
------	---------

Downloads

Engineering Data	STEP
Engineering Data	EPLAN

Data sheet

RF RS 70 RE/A4/O.BEZ OR

Weidmüller Interface GmbH & Co. KG
 Klingenbergstraße 26
 D-32758 Detmold
 Germany

www.weidmueller.com

Drawings

LOCKING-FOOT RIGHT

