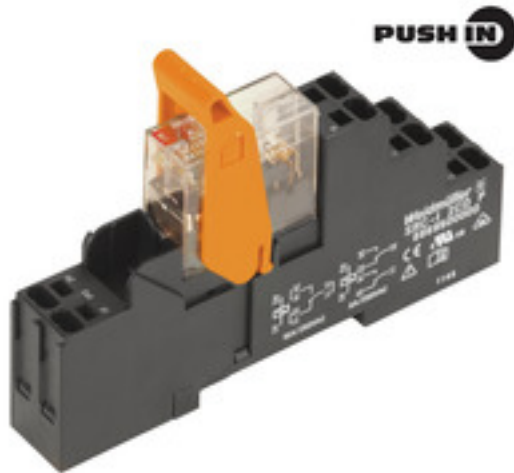


## RCIKITP 115VAC 1CO LD

**Weidmüller Interface GmbH & Co. KG**  
 Klingenbergstraße 26  
 D-32758 Detmold  
 Germany

www.weidmueller.com

### Product image



Similar to illustration

- Mounted kit consisting relay, socket and retaining clip
- 100 % function tested
- 100 % check of the dielectric strenght between input - output
- 1 CO contacts
- Optional test button with mechanical status indicator
- Bright status LED (AC coil: red / DC coil: green)
- identification of coils (AC red / DC blue)

### General ordering data

Version	RIDERSERIES RCI, Relay module, Number of contacts: 1, CO contact AgNi 90/10, Rated control voltage: 115 V AC, Continuous current: 16 A <sup>(1)</sup> , PUSH IN
Order No.	<a href="#">8897130000</a>
Type	RCIKITP 115VAC 1CO LD
GTIN (EAN)	4032248646906
Qty.	10 pc(s).
Relevant base	<a href="#">8869500000</a>
Relevant relay	<a href="#">8870140000</a>

Creation date March 29, 2021 11:37:46 PM CEST

## RCIKITP 115VAC 1CO LD

**Weidmüller Interface GmbH & Co. KG**

Klingenbergstraße 26

D-32758 Detmold

Germany

www.weidmueller.com

## Technical data

### Dimensions and weights

Depth	69.6 mm	Depth (inches)	2.74 inch
Height	98 mm	Height (inches)	3.858 inch
Net weight	57.8 g	Width	15.8 mm
Width (inches)	0.622 inch		

### Temperatures

Storage temperature	-40 °C...70 °C	Operating temperature	-40 °C...70 °C
Humidity	40 °C / 93 % rel. humidity, no condensation		

### Environmental Product Compliance

REACH SVHC	Lead 7439-92-1
------------	----------------

### Control side

Coil resistance	8100 $\Omega \pm 15\%$	Power rating	1058 mVA
Pull-in/drop-out voltage, typ.	86.3 V / 17.3 V AC	Rated control voltage	115 V AC
Rated current AC	9.2 mA	Status indicator	red LED

### Load side

AC switching capacity (resistive), max.	4000 VA	Continuous current	16 A .1) For full continuous current (16 A), relay connections 11-21, 12-22 and 14-24 must be bridged.
DC switching capacity (resistive), max.	384 W @ 24 V	Inrush current	30 A / 4 s
Max. switching frequency at rated load	0.1 Hz	Min. switching power	1 mA @ 24 V, 10 mA @ 12 V, 100 mA @ 5 V
Rated switching voltage	250 V AC	Switch-off delay	$\leq 6$ ms
Switch-on delay	$\leq 8$ ms		

### Contact data

Contact type	1 CO contact (AgNi 90/10)	Mechanical service life	AC coil $5 \times 10^6$ switching cycles, DC coil $10 \times 10^6$ switching cycles
--------------	---------------------------	-------------------------	---

### General data

Rail	TS 35	Test button	No
Mechanical switch position indicator	No	Colour	black

### Insulation coordination

Creepage and clearance distance input - output	$\geq 8$ mm	Dielectric strength of open contact	1 kV <sub>eff</sub> / 1 min
Dielectric strength, Input/Output	5 kV <sub>eff</sub> / 1min	Impulse withstand voltage	5 kV (1.2/50 $\mu$ s)
Insulating material group	IIIa	Pollution severity	2
Protection degree	IP20	Rated voltage	250 V
Surge voltage category	III		

Creation date March 29, 2021 11:37:46 PM CEST

Catalogue status 12.03.2021 / We reserve the right to make technical changes.

## RCIKITP 115VAC 1CO LD

**Weidmüller Interface GmbH & Co. KG**

Klingenbergstraße 26

D-32758 Detmold

Germany

www.weidmueller.com

## Technical data

### Further details of approvals / standards

Standards	DIN EN 50178	Certificate no. (CSA) relay	249409-2426937
Certificate no. (CSA) base	249409-2295474	Certificate No. (DNVGL)	TAA000011A
Certificate no. (cURus) relay	E224238	Certificate no. (cURus) base	E223759

### Connection data

Wire connection method	PUSH IN	Stripping length, rated connection	12 mm
Clamping range, rated connection	1.5 mm <sup>2</sup>	Clamping range, min.	0.75 mm <sup>2</sup>
Clamping range, max.	1.5 mm <sup>2</sup>	Wire cross-section, solid, min.	0.75 mm <sup>2</sup>
Wire cross-section, solid, max.	1.5 mm <sup>2</sup>	Wire connection cross section, finely stranded, min.	0.75 mm <sup>2</sup>
Wire connection cross section, finely stranded, max.	1.5 mm <sup>2</sup>	Wire connection cross-section, finely stranded with wire-end ferrules DIN 46228/4, min.	0.75 mm <sup>2</sup>
Wire connection cross-section, finely stranded with wire-end ferrules DIN 46228/4, max.	0.75 mm <sup>2</sup>	Conductor cross-section, flexible, AEH (DIN 46228-1), min.	0.75 mm <sup>2</sup>
Conductor cross-section, flexible, AEH (DIN 46228-1), max.	1 mm <sup>2</sup>	Blade size	0.6 x 3.5 mm

### Classifications

ETIM 6.0	EC001437	ETIM 7.0	EC001437
ECLASS 9.0	27-37-16-01	ECLASS 9.1	27-37-16-01
ECLASS 10.0	27-37-16-01	ECLASS 11.0	27-37-16-01

### Important note

Product information 1) For full continuous current (16 A), relay connections 11–21, 12–22 and 14–24 must be bridged.

### Approvals

Approvals



ROHS Conform

### Downloads

Approval/Certificate/Document of Conformity	<a href="#">EU Konformitätserklärung / EU Declaration of Conformity</a>
Engineering Data	<a href="#">STEP</a>
Engineering Data	<a href="#">EPLAN, WSCAD, Zuken E3.S</a>

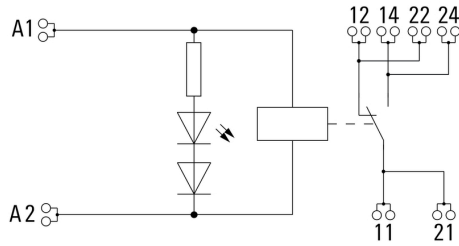
**RCIKITP 115VAC 1CO LD**

**Weidmüller Interface GmbH & Co. KG**  
 Klingenbergstraße 26  
 D-32758 Detmold  
 Germany

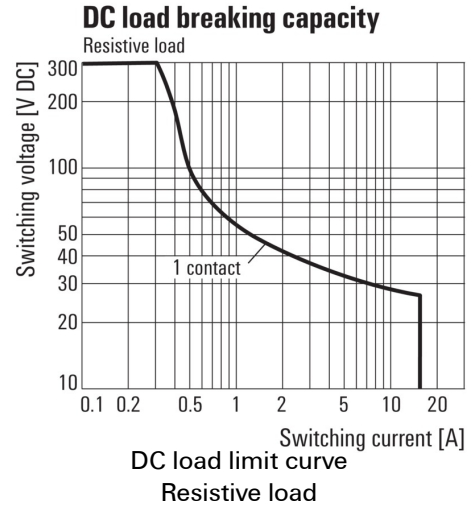
www.weidmueller.com

**Drawings**

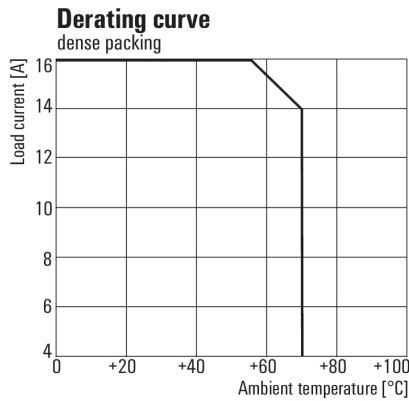
**Wiring diagram**



**Graph**



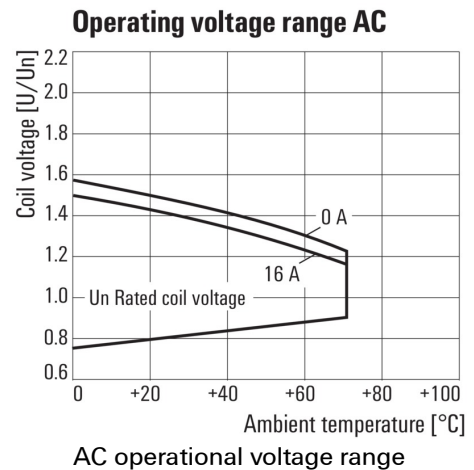
**Graph**



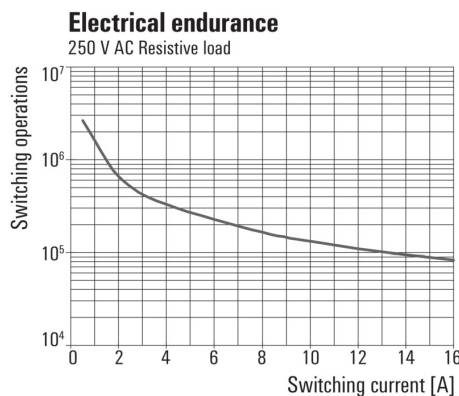
\* For full continuous current (16 A), socket connections 11-21, 12-22 and 14-24 must be bridged.

Derating curve  
 Relay in combination with base

**Graph**

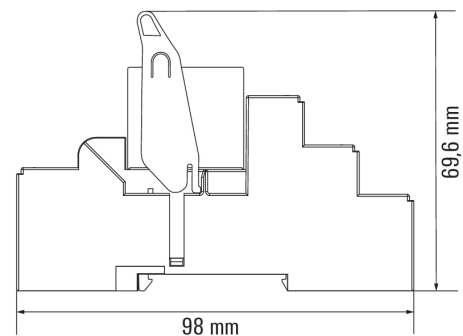


**Graph**

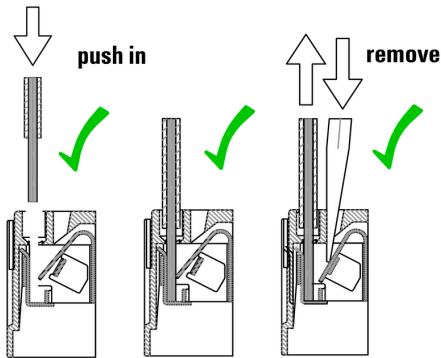


Electrical service life 250 V AC resistive load  
 250 V AC resistive load

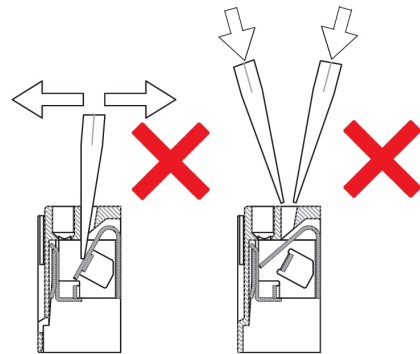
**Dimensioned drawing**



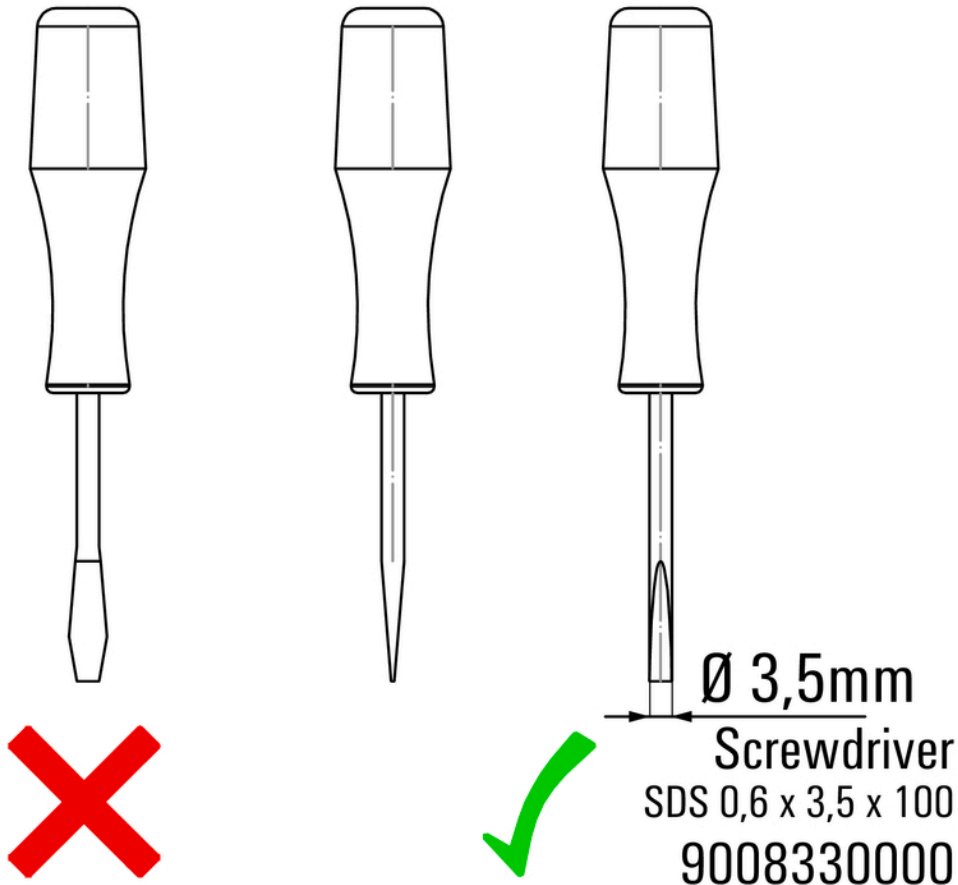
**Correct handling PUSH IN connection**



**Wrong handling PUSH IN connection**



**Recommended screwdriver**



**RCIKITP 115VAC 1CO LD**

**Weidmüller Interface GmbH & Co. KG**  
 Klingenbergstraße 26  
 D-32758 Detmold  
 Germany  
 www.weidmueller.com

