

IE-OM-V04P-K11-1S**Weidmüller Interface GmbH & Co. KG**

Klingenbergstraße 26

D-32758 Detmold

Germany

www.weidmueller.com



Similar to illustration

Junction box, design for PushPull plug-in connectors ver.4
according to IEC 61076-3-106, metal

General ordering data

Version	Junction box, IP67, Variant 4, 1 port, straight
Order No.	1966220000
Type	IE-OM-V04P-K11-1S
GTIN (EAN)	4032248658411
Qty.	1 pc(s).

Creation date March 26, 2021 3:51:45 PM CET

Catalogue status 12.03.2021 / We reserve the right to make technical changes.

IE-OM-V04P-K11-1S**Weidmüller Interface GmbH & Co. KG**

Klingenbergstraße 26

D-32758 Detmold

Germany

www.weidmueller.com

Technical data**Dimensions and weights**

Depth	57 mm	Depth (inches)	2.244 inch
Length	140 mm	Length (inches)	5.512 inch
Net weight	419 g	Width	75 mm
Width (inches)	2.953 inch		

Temperatures

Operating temperature	-40 °C...70 °C
-----------------------	----------------

Environmental Product Compliance

REACH SVHC	Lead 7439-92-1
------------	----------------

General data

Colour	grey	Housing main material	AL-Si 12
Plugging cycles	750	Protection degree	IP67
Type of mounting	Floor-mounted, Wall mounting		

General standards

Connector standard	IEC 61076-3-106 Var. 4
--------------------	------------------------

Classifications

ETIM 6.0	EC000261	ETIM 7.0	EC000261
ECLASS 9.0	27-18-01-01	ECLASS 9.1	27-18-92-90
ECLASS 10.0	27-18-01-01	ECLASS 11.0	27-18-01-01

Approvals

ROHS	Conform
------	---------

Downloads

Approval/Certificate/Document of Conformity	GOST Approval
Engineering Data	STEP
Engineering Data	WSCAD
User Documentation	MAN IE GUIDE DE MAN IE GUIDE EN

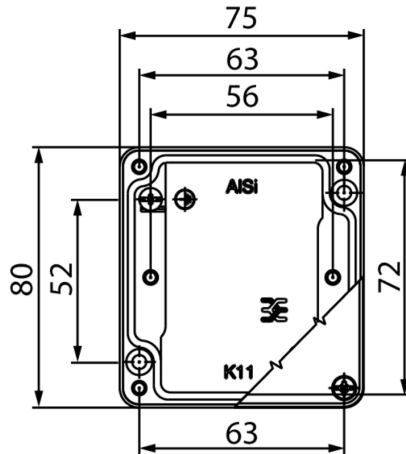
IE-OM-V04P-K11-1S

Weidmüller Interface GmbH & Co. KG
Klingenbergstraße 26
D-32758 Detmold
Germany

www.weidmueller.com

Drawings

Dimensioned drawing



Drawing

