

## DRIKIT 12VDC 1CO LD/PB

**Weidmüller Interface GmbH & Co. KG**

Klingenbergstraße 26

D-32758 Detmold

Germany

www.weidmueller.com

### Product image



Similar to illustration

- Mounted kit consisting relay, socket and retaining clip
- 100 % function tested
- 100 % check of the dielectric strenght between input - output
- 1 CO contact
- Optional: Test button with coloured identification of coils (AC red / DC blue)
- Bright status LED (AC coil: red / DC coil: green)

### General ordering data

Version	D-SERIES DRI, Relay module, Number of contacts: 1, CO contact AgSnO, Rated control voltage: 12 V DC, Continuous current: 10 A, Screw connection
Order No.	<a href="#">2476740000</a>
Type	DRIKIT 12VDC 1CO LD/PB
GTIN (EAN)	4050118496963
Qty.	10 pc(s).
Relevant base	<a href="#">7760056350</a>
Relevant relay	<a href="#">7760056314</a>

Creation date March 27, 2021 1:16:47 AM CET

**DRIKIT 12VDC 1CO LD/PB****Weidmüller Interface GmbH & Co. KG**

Klingenbergstraße 26

D-32758 Detmold

Germany

www.weidmueller.com

**Technical data****Dimensions and weights**

Depth	68 mm	Depth (inches)	2.677 inch
Height	80.2 mm	Height (inches)	3.157 inch
Net weight	59.4 g	Width	15.8 mm
Width (inches)	0.622 inch		

**Temperatures**

Storage temperature	-40 °C...85 °C	Operating temperature	-40 °C...55 °C
Humidity	35...85 % rel. humidity, no condensation		

**Environmental Product Compliance**

REACH SVHC	Lead 7439-92-1
------------	----------------

**Control side**

Coil resistance	270 Ω ± 10 %	Power rating	530 mW
Protective circuit	Free-wheeling diode	Pull-in/drop-out voltage, typ.	9 V / 1.8 V DC
Rated control voltage	12 V DC	Rated current DC	44,4 mA
Status indicator	Green LED		

**Load side**

AC switching capacity (resistive), max.	2500 VA	Continuous current	10 A
DC switching capacity (resistive), max.	240 W @ 24 V	Max. switching frequency at rated load	0.1 Hz
Max. switching voltage, DC	250 V	Min. switching power	10 mA @ 24 V, 10 mA @ 12 V, 100 mA @ 5 V
Rated switching voltage	250 V AC	Switch-off delay	≤ 10 ms
Switch-on delay	≤ 15 ms		

**Contact data**

Contact type	1 CO contact (AgSnO)	Mechanical service life	10 x 10 <sup>6</sup> switching cycles
--------------	----------------------	-------------------------	---------------------------------------

**General data**

Rail	TS 35	
Test button	yes (lockable)	
Mechanical switch position indicator	Yes	
Colour	black	
UL94 flammability rating component	Component	Housing
	UL94 flammability rating	V-2
	Component	Mounting foot
	UL94 flammability rating	HB
	Component	Retaining clip
	UL94 flammability rating	HB
	Component	Relay cover
	UL94 flammability rating	V-2
	Component	Relay baseplate
	UL94 flammability rating	V-0
	Component	Relay status indicator
	UL94 flammability rating	HB
Component	Relay test button	
UL94 flammability rating	HB	

Creation date March 27, 2021 1:16:47 AM CET

Catalogue status 12.03.2021 / We reserve the right to make technical changes.

**DRIKIT 12VDC 1CO LD/PB****Weidmüller Interface GmbH & Co. KG**

Klingenbergstraße 26

D-32758 Detmold

Germany

www.weidmueller.com

**Technical data****Insulation coordination**

Creepage and clearance distance input – output	≥ 3 mm	Dielectric strength of open contact	1 kV <sub>eff</sub> / 1 min
Dielectric strength, Input/Output	4 kV <sub>eff</sub> / 1 Min.	Impulse withstand voltage	4.8 kV (1.2/50 μs)
Insulating material group	IIIb	Pollution severity	2
Protection degree	IP20	Rated voltage	250 V
Surge voltage category	III		

**Further details of approvals / standards**

Standards	IEC 61810-1, EN 60664-1:2007, EN 61000-6-2:2005, EN 61000-6-4:2007 + A1:2011	Certificate no. (cURus) relay	E312083
Certificate no. (cURus) base	E355547		

**Connection data**

Wire connection method	Screw connection	Stripping length, rated connection	8 mm
Tightening torque, min.	0.5 Nm	Tightening torque, max.	0.8 Nm
Clamping range, rated connection	1.5 mm <sup>2</sup>	Clamping range, min.	0.25 mm <sup>2</sup>
Clamping range, max.	4 mm <sup>2</sup>	Wire cross-section, solid, min.	0.25 mm <sup>2</sup>
Wire cross-section, solid, max.	4 mm <sup>2</sup>	Wire connection cross section, finely stranded, min.	0.25 mm <sup>2</sup>
Wire connection cross section, finely stranded, max.	4 mm <sup>2</sup>	Wire connection cross-section, finely stranded with wire-end ferrules DIN 46228/4, min.	0.25 mm <sup>2</sup>
Wire connection cross-section, finely stranded with wire-end ferrules DIN 46228/4, max.	4 mm <sup>2</sup>	Conductor cross-section, flexible, AEH (DIN 46228-1), min.	0.25 mm <sup>2</sup>
Conductor cross-section, flexible, AEH (DIN 46228-1), max.	4 mm <sup>2</sup>	Blade size	size PH1
Gauge to IEC 60947-1	A3		

**Classifications**

ETIM 6.0	EC001437	ETIM 7.0	EC001437
ECLASS 9.0	27-37-16-01	ECLASS 9.1	27-37-16-01
ECLASS 10.0	27-37-16-01	ECLASS 11.0	27-37-16-01

**Approvals**

Approvals



ROHS

Conform

**Downloads**

Approval/Certificate/Document of Conformity	<a href="#">EU Konformitätserklärung / EU Declaration of Conformity</a>
Engineering Data	<a href="#">STEP</a>
Engineering Data	<a href="#">EPLAN, WSCAD, Zuken E3.S</a>

Creation date March 27, 2021 1:16:47 AM CET

Catalogue status 12.03.2021 / We reserve the right to make technical changes.

3

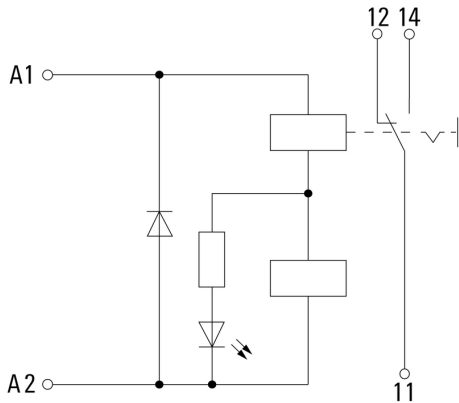
**DRIKIT 12VDC 1CO LD/PB**

**Weidmüller Interface GmbH & Co. KG**  
 Klingenbergstraße 26  
 D-32758 Detmold  
 Germany

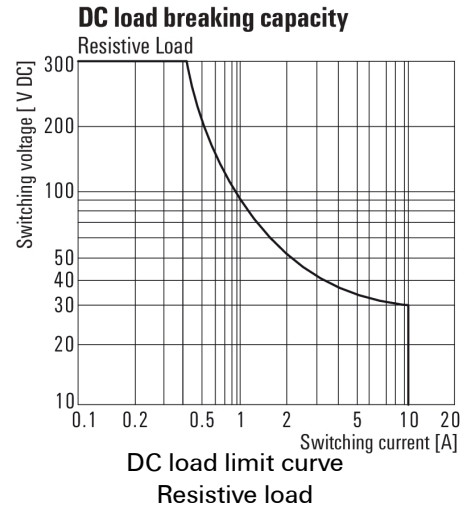
www.weidmueller.com

**Drawings**

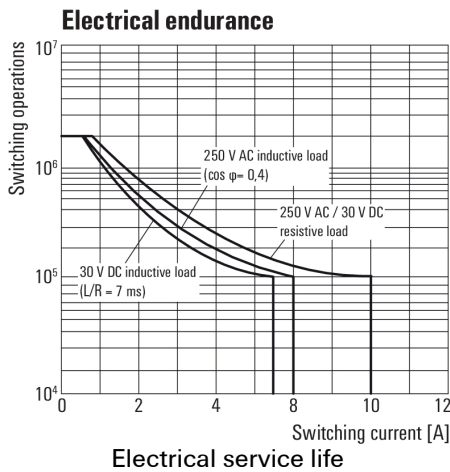
**Wiring diagram**



**Graph**



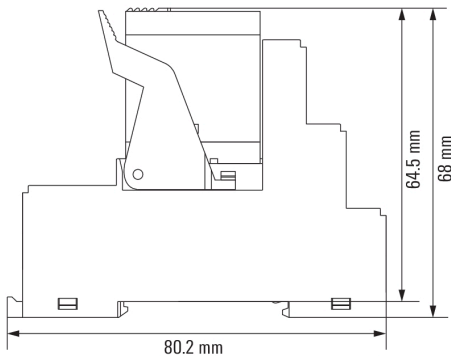
**Graph**



**Graph**



**Dimensional drawing**

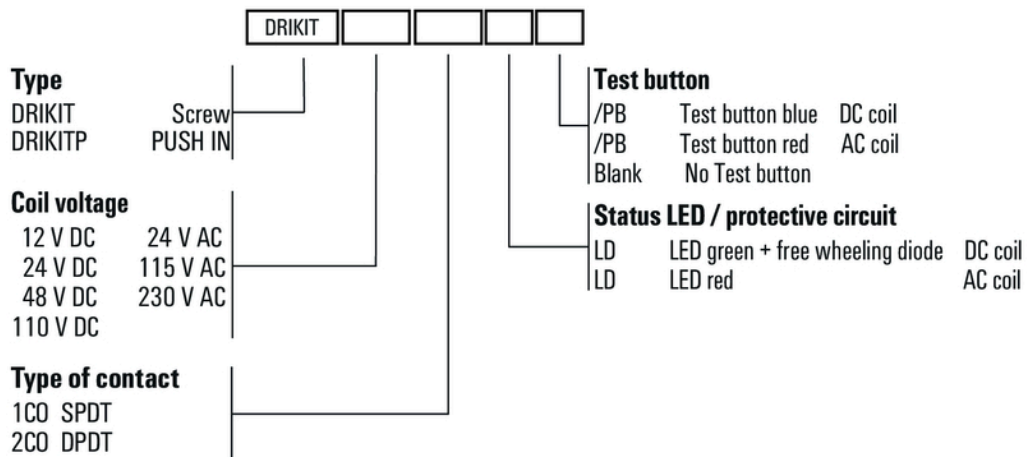


**DRIKIT 12VDC 1CO LD/PB**

**Weidmüller Interface GmbH & Co. KG**  
 Klingenbergstraße 26  
 D-32758 Detmold  
 Germany  
 www.weidmueller.com

**Drawings**

**Miscellaneous**



Type codes