

**RCLKIT 24VDC 1CO LED GN**

**Weidmüller Interface GmbH & Co. KG**  
Klingenbergstraße 26  
D-32758 Detmold  
Germany

[www.weidmueller.com](http://www.weidmueller.com)

**Product image**

Similar to illustration

**General ordering data**

Version	RIDERSERIES RCL, Relay module, Number of contacts: 1, CO contact AgNi 90/10, Rated control voltage: 24 V DC, Continuous current: 16 A, Screw connection
Order No.	<a href="#">7940006158</a>
Type	RCLKIT 24VDC 1CO LED GN
GTIN (EAN)	4032248475001
Qty.	10 pc(s).
Relevant base	<a href="#">8690830000</a>

Creation date March 29, 2021 10:30:18 PM CEST

Catalogue status 12.03.2021 / We reserve the right to make technical changes.

## RCLKIT 24VDC 1CO LED GN

**Weidmüller Interface GmbH & Co. KG**

Klingenbergstraße 26

D-32758 Detmold

Germany

www.weidmueller.com

## Technical data

### Dimensions and weights

Depth	66 mm	Depth (inches)	2.598 inch
Height	78 mm	Height (inches)	3.071 inch
Net weight	61.5 g	Width	16 mm
Width (inches)	0.63 inch		

### Temperatures

Storage temperature	-40 °C...70 °C	Operating temperature	-40 °C...70 °C
Humidity	40 °C / 93 % rel. humidity, no condensation		

### Environmental Product Compliance

REACH SVHC	Lead 7439-92-1
------------	----------------

### Control side

Coil resistance	1440 Ω ± 10 %	Power rating	500 mW
Protective circuit	Free-wheeling diode	Pull-in/drop-out voltage, typ.	16.8 V / 2.4 V DC
Rated control voltage	24 V DC	Rated current DC	16.7 mA
Status indicator	Green LED		

### Load side

AC switching capacity (resistive), max.	4000 VA	Continuous current	16 A
DC switching capacity (resistive), max.	384 W @ 24 V	Inrush current	30 A / 4 s
Max. switching voltage, AC	240 V	Min. switching power	1 mA @ 24 V, 10 mA @ 12 V, 100 mA @ 5 V
Rated switching voltage	250 V AC	Switch-off delay	≤ 4 ms
Switch-on delay	≤ 7 ms		

### Contact data

Contact type	1 CO contact (AgNi 90/10)	Mechanical service life	DC coil 30 x 10 <sup>6</sup> switching cycles
--------------	---------------------------	-------------------------	---

### General data

Rail	TS 35	Test button	No
Mechanical switch position indicator	No	Colour	black
UL 94 flammability rating	V-2		

### Insulation coordination

Creepage and clearance distance input – output	≥ 10 mm	Dielectric strength, Input/Output	5 kV <sub>eff</sub> / 1 min
Insulating material group	C	Pollution severity	2
Protection degree	IP20	Rated voltage	250 V
Surge voltage category	III		

### Further details of approvals / standards

Standards	DIN EN 50178	Certificate no. (CSA) relay	249409-2426937
Certificate no. (cURus) relay	E224238	Certificate no. (cURus) base	E223759

Creation date March 29, 2021 10:30:18 PM CEST

Catalogue status 12.03.2021 / We reserve the right to make technical changes.

2

**RCLKIT 24VDC 1CO LED GN**

**Weidmüller Interface GmbH & Co. KG**  
 Klingenbergstraße 26  
 D-32758 Detmold  
 Germany

www.weidmueller.com

**Technical data****Connection data**

Wire connection method	Screw connection	Clamping range, rated connection	2.5 mm <sup>2</sup>
Clamping range, min.	0.5 mm <sup>2</sup>	Clamping range, max.	2.5 mm <sup>2</sup>
Blade size	size PH0		

**Classifications**

ETIM 6.0	EC001437	ETIM 7.0	EC001437
ECLASS 9.0	27-37-16-01	ECLASS 9.1	27-37-16-01
ECLASS 10.0	27-37-16-01	ECLASS 11.0	27-37-16-01

**Approvals**

Approvals



ROHS

Conform

**Downloads**

Approval/Certificate/Document of  
 Conformity

[EU Konformitätserklärung / EU Declaration of Conformity](#)

Engineering Data

[EPLAN, WSCAD](#)

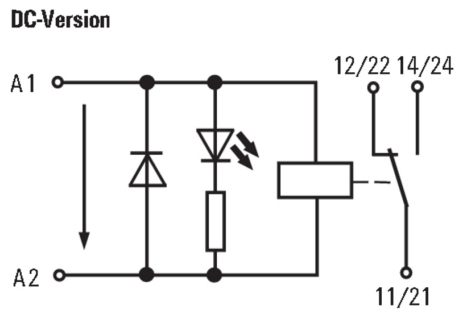
**RCLKIT 24VDC 1CO LED GN**

**Weidmüller Interface GmbH & Co. KG**  
 Klingenbergstraße 26  
 D-32758 Detmold  
 Germany

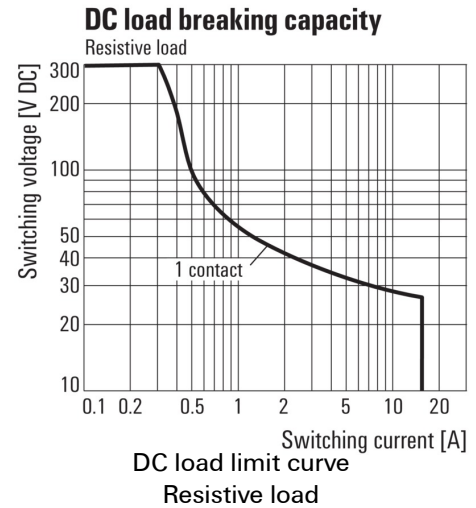
www.weidmueller.com

**Drawings**

**Wiring diagram**



**Graph**



**Graph**

