

IE-C5DS4UG0050MBSMCS-E**Weidmüller Interface GmbH & Co. KG**

Klingenbergstraße 26

D-32758 Detmold

Germany

www.weidmueller.com



Assembled IE cables, PROFINET, Cat. 5, PUR, green

General ordering data

Version	System cable, M12 D-code – flange, M12 D-code – pin straight, Cat.5 (ISO/IEC 11801) / Cat.5e (TIA T568-B), PUR, 5 m
Order No.	1244130050
Type	IE-C5DS4UG0050MBSMCS-E
GTIN (EAN)	4050118045543
Qty.	1 pc(s).

Creation date March 23, 2021 12:13:49 PM CET

Catalogue status 12.03.2021 / We reserve the right to make technical changes.

IE-C5DS4UG0050MBSMCS-E**Weidmüller Interface GmbH & Co. KG**

Klingenbergstraße 26

D-32758 Detmold

Germany

www.weidmueller.com

Technical data**Dimensions and weights**

Length	5 m	Length (inches)	196.85 inch
Net weight	346 g		

Temperatures

Storage temperature	-50 °C...70 °C	Operating temperature	-40 °C...70 °C
Installation temperature	-20 °C...60 °C		

Environmental Product Compliance

REACH SVHC	Lead 7439-92-1
------------	----------------

Cable structure

Cross-section	4*AWG 22/7 - 0.36 mm ²	Insulation cross-section	1.5 mm
Material sheath	PUR	Sheath diameter, max.	6.7 mm
Sheathing colour	green (RAL 6018)	Shielding	360° shield contact

Electrical properties of cable

Category	Cat.5 (ISO/IEC 11801) / Cat.5e (TIA T568-B)
----------	--

Mechanical and material properties of cable

Min. bending radius, once only	5 x cable diameter	Min. bending radius, repetitive	15 x cable diameter
--------------------------------	--------------------	---------------------------------	---------------------

Plug, left

Connector left	M12 D-code – flange
----------------	---------------------

Plug, right

Connector right	M12 D-code – pin straight
-----------------	---------------------------

plug

Connector left	M12 D-code – flange	Connector right	M12 D-code – pin straight
----------------	---------------------	-----------------	---------------------------

Classifications

ETIM 6.0	EC002599	ETIM 7.0	EC002599
ECLASS 9.0	27-06-03-08	ECLASS 9.1	27-06-03-08
ECLASS 10.0	27-06-03-08	ECLASS 11.0	27-06-03-08

Approvals

ROHS	Conform
------	---------

Downloads

Approval/Certificate/Document of Conformity	PROFINET Manufacturer's Declaration
User Documentation	MAN IE GUIDE DE MAN IE GUIDE EN

Creation date March 23, 2021 12:13:49 PM CET

Catalogue status 12.03.2021 / We reserve the right to make technical changes.

IE-C5DS4UG0050MBSMCS-E

Weidmüller Interface GmbH & Co. KG
 Klingenbergstraße 26
 D-32758 Detmold
 Germany

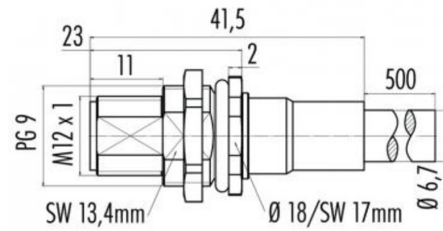
www.weidmueller.com

Drawings

Wiring diagram

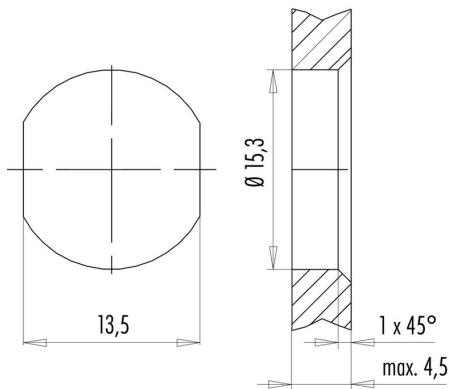
M12		M12
1	yellow	1
2	white	2
3	orange	3
4	blue	4

Dimensioned drawing



Hexagon nut enclosed loosely

Dimensioned drawing



with through hole