

RCM370024**Weidmüller Interface GmbH & Co. KG**

Klingenbergstraße 26

D-32758 Detmold

Germany

www.weidmueller.com

Product image

Similar to illustration

Individual relays within the RIDERSERIES RCM

- 3 CO contacts
- Optional AC or DC coils
- With test button

General ordering data

Version	RIDERSERIES RCM, Relay, Number of contacts: 3, CO contact AgNi 90/10, Rated control voltage: 24 V DC, Continuous current: 10 A, Plug-in connection
Order No.	8690040000
Type	RCM370024
GTIN (EAN)	4032248360710
Qty.	10 pc(s).

Creation date March 29, 2021 11:05:18 PM CEST

Catalogue status 12.03.2021 / We reserve the right to make technical changes.

RCM370024

Weidmüller Interface GmbH & Co. KG

Klingenbergstraße 26

D-32758 Detmold

Germany

www.weidmueller.com

Technical data

Dimensions and weights

Depth	29 mm	Depth (inches)	1.142 inch
Height	28 mm	Height (inches)	1.102 inch
Net weight	27.977 g	Width	22.5 mm
Width (inches)	0.886 inch		

Temperatures

Storage temperature	-40 °C...85 °C	Operating temperature	-40 °C...70 °C
Humidity	40 °C / 93 % rel. humidity, no condensation		

Probability of failure

B10	410.000 AC15: 250Vac/5A
-----	----------------------------

Rated data UL

Certificate No. (cURus)	E224238
-------------------------	---------

Control side

Coil resistance	777 Ω ± 10 %	Power rating	768 mW
Pull-in/drop-out voltage, typ.	18 V / 2.4 V DC	Rated control voltage	24 V DC
Rated current DC	31.3 mA		

Load side

AC switching capacity (resistive), max.	2500 VA	Continuous current	10 A
DC switching capacity (resistive), max.	240 W @ 24 V	Inrush current	20 A / 20 ms
Max. switching frequency at rated load	0.1 Hz	Min. switching power	1 mA @ 24 V, 10 mA @ 12 V, 100 mA @ 5 V
Rated switching voltage	250 V AC	Switch-off delay	≤ 10 ms
Switch-on delay	≤ 15 ms		

Contact data

Contact type	3 CO contact (AgNi 90/10)	Mechanical service life	AC coil 20 x 10 ⁶ switching cycles, DC coil 30 x 10 ⁶ switching cycles
--------------	------------------------------	-------------------------	--

General data

Test button	yes (lockable)	Mechanical switch position indicator	Yes
Colour	Transparent	UL 94 flammability rating	V-2

Insulation coordination

Creepage and clearance distance input – output	≥ 4 mm	Dielectric strength of neighbouring contacts	2.5 kV _{eff} / 1 Min.
Dielectric strength of open contact	1.2 kV _{eff} / 1 min.	Dielectric strength, Input/Output	2.5 kV _{eff} / 1 Min.
Impulse withstand voltage	5 kV (1.2/50 μs)	Insulating material group	IIIa
Pollution severity	2	Protection degree	IP20
Rated voltage	250 V	Surge voltage category	III

Creation date March 29, 2021 11:05:18 PM CEST

Catalogue status 12.03.2021 / We reserve the right to make technical changes.

RCM370024

Weidmüller Interface GmbH & Co. KG
 Klingenbergstraße 26
 D-32758 Detmold
 Germany

www.weidmueller.com

Technical data

Further details of approvals / standards

Standards	IEC 61810-1, UL508	Certificate No. (CSA)	249409-2426937
Certificate No. (VDE)	40011762	Certificate No. (cURus)	E224238

Connection data

Wire connection method	Plug-in connection
------------------------	--------------------

Classifications

ETIM 6.0	EC001437	ETIM 7.0	EC001437
ECLASS 9.0	27-37-16-01	ECLASS 9.1	27-37-16-01
ECLASS 10.0	27-37-16-01	ECLASS 11.0	27-37-16-01

Approvals

Approvals



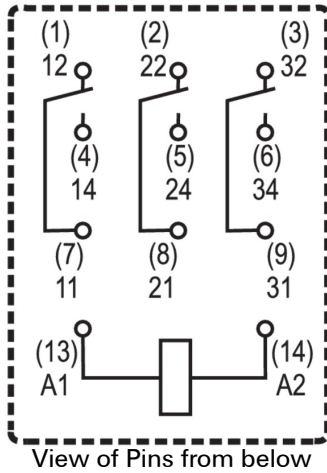
ROHS	Conform
UL File Number Search	E224238

Downloads

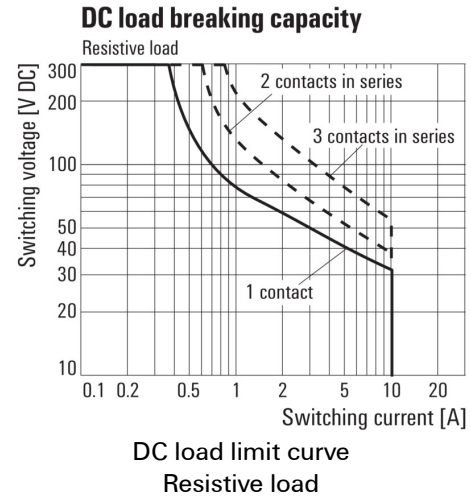
Approval/Certificate/Document of Conformity	EU Konformitätserklärung / EU Declaration of Conformity
Engineering Data	STEP
Engineering Data	EPLAN, WSCAD

Drawings

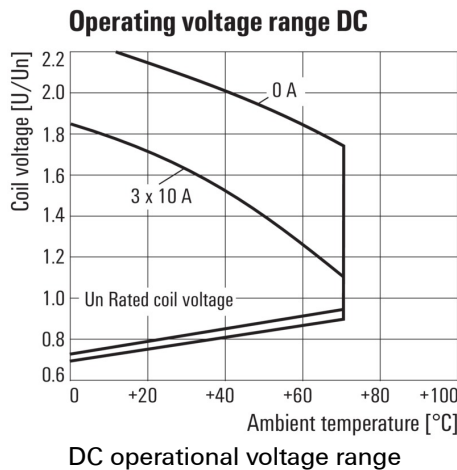
Wiring diagram



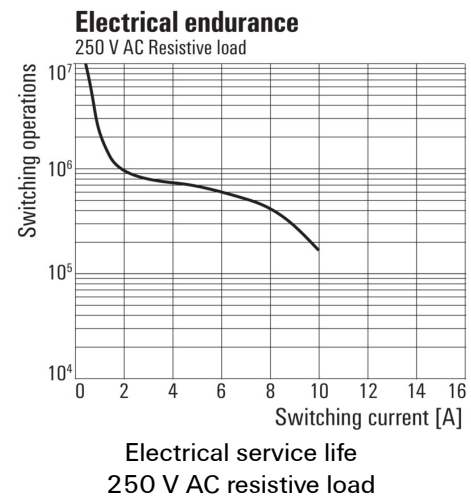
Graph



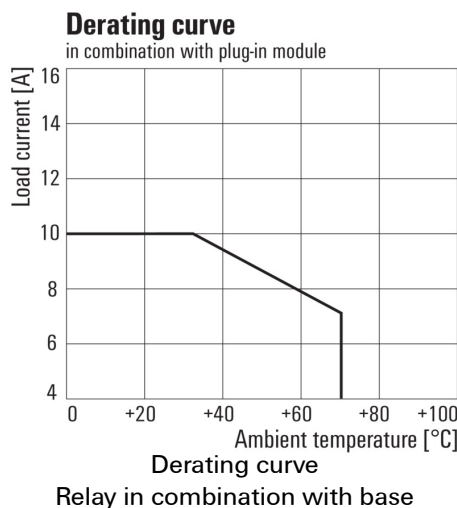
Graph



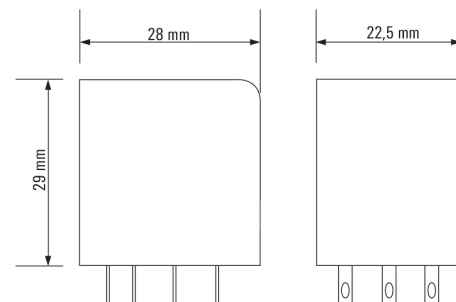
Graph



Graph



Dimensional drawing



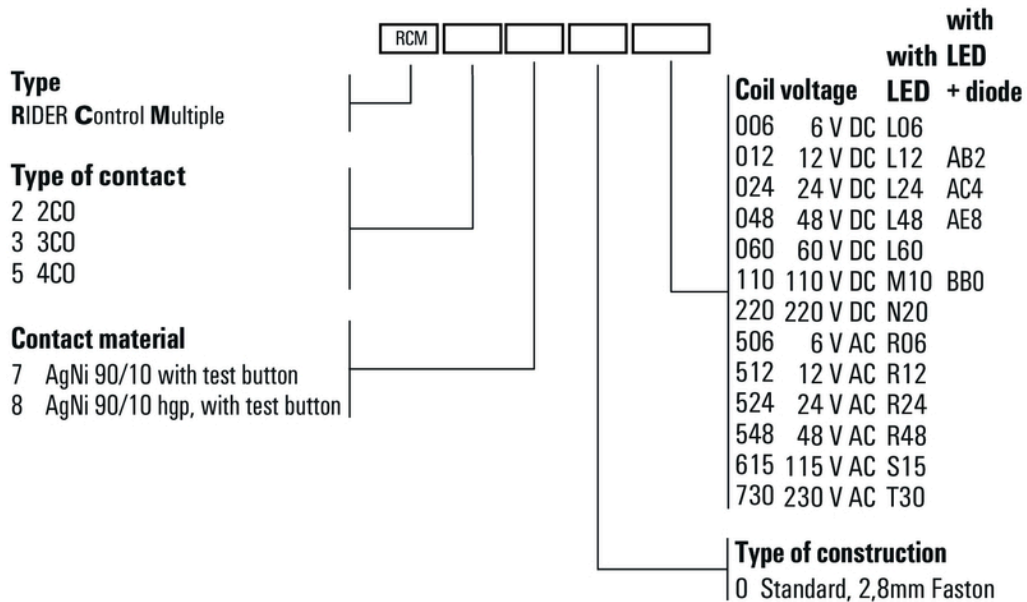
RCM370024

Weidmüller Interface GmbH & Co. KG
 Klingenbergstraße 26
 D-32758 Detmold
 Germany

www.weidmueller.com

Drawings

Miscellaneous



Type codes