



### Main

Range of product	Modicon M340 automation platform
Product or component type	Analog output module
Electrical connection	1 connector 20 ways
Isolation between channels	Isolated

### Complementary

Measurement error	0.1 % of full scale 25 °C <= 0.25 % of full scale 0...60 °C
Temperature drift	40 ppm/°C 4...20 mA 40 ppm/°C 0...20 mA 40 ppm/°C +/- 10 V
Recalibration	Factory calibrated
Isolation voltage	750 V DC between channels 1400 V DC between channels and bus 1400 V DC between channels and ground
Detection type	Short circuit +/- 10 V Open circuit 4...20 mA Open circuit 0...20 mA
Load impedance ohmic	>= 1000 Ohm +/- 10 V <= 600 Ohm 4...20 mA <= 600 Ohm 0...20 mA
Output level	High level
Analogue output number	2
Analogue output type	Voltage +/- 10 V Current 4...20 mA Current 0...20 mA
Analogue output resolution	15 bits + sign
Supply	Internal power supply via rack
Conversion time	<= 1 ms
Maximum conversion value	0...24 mA 4...20 mA 0...24 mA 0...20 mA +/- 11.25 V +/- 10 V +/- 10 V
Fallback mode	Configurable Predefined
Status LED	1 LED red I/O 1 LED red ERR 1 LED per channel green channel diagnostic 1 LED green RUN
Product weight	0.144 kg
Current consumption	110 mA at 24 V DC 150 mA at 3.3 V DC

## Environment

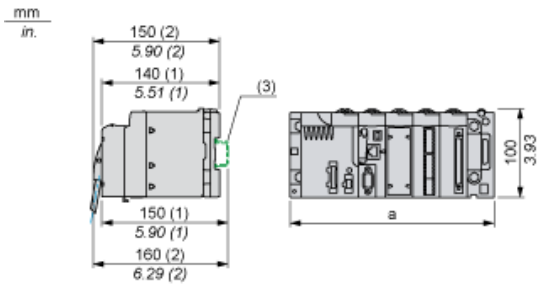
Ambient air temperature for operation	0...60 °C
Relative humidity	10...95 % without condensation
IP degree of protection	IP20
Protective treatment	TC

## Offer Sustainability

Sustainable offer status	Not Green Premium product
RoHS (date code: YYWW)	Compliant - since 0722 - <a href="#">Schneider Electric declaration of conformity</a>
REACH	Reference not containing SVHC above the threshold
Product environmental profile	Available <a href="#">Download Product Environmental</a>

Modules Mounted on Racks

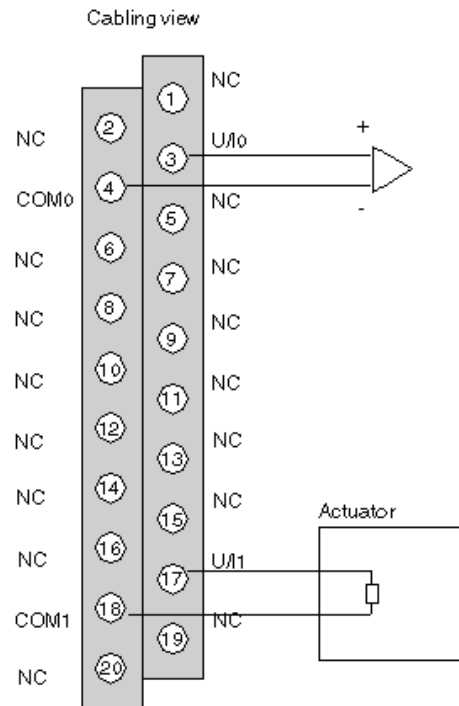
Dimensions



- (1) With removable terminal block (cage, screw or spring).
- (2) With FCN connector.
- (3) On AM1 ED rail: 35 mm wide, 15 mm deep. Only possible with BMXXBP0400/0400H/0600/0600H/0800/0800H rack.

Rack references	a in mm	a in in.
BMXXBP0400 and BMXXBP0400H	242.4	09.54
BMXXBP0600 and BMXXBP0600H	307.6	12.11
BMXXBP0800 and BMXXBP0800H	372.8	14.68
BMXXBP1200 and BMXXBP1200H	503.2	19.81

Wiring Diagram



U/lx + pole input for channel x  
 COMx pole input for channel x  
 Channel voltage actuator  
 0  
 Channel current actuator  
 1

The current loop is self-powered by the output and does not request any external supply.