



Main

Range of product	Modicon X80
Product or component type	Ethernet RIO drop adaptor

Complementary

Bus type	Bus X across the remote backplane
Number of port	2
Integrated connection type	Ethernet/IP (device network)
Communication port protocol	Ethernet/IP
Communication service	RSTP support Configure IP parameters Diagnostics for remote I/O devices The input data are collected and published to the remote I/O head adaptor Output modules are updated with the data received from remote I/O head adaptor
Function available	CCOTF (configuration change on the fly)
Topology	Daisy chain loop
Local signalling	1 LED - green for Ethernet link diagnostics (STS) 1 LED - green/red for network communication status (Net Status) 1 LED - green/red for module status (Mod Status) 1 LED - red for module error (ERR) 1 LED - green for module active (RUN)
Product compatibility	0...16 analog I/O module 0...128 discrete I/O module
Marking	CE
Module format	Standard

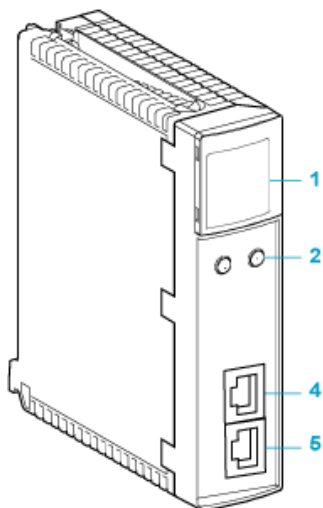
Environment

Environmental characteristic	Standard environment
Product certifications	C-Tick GOST Merchant Navy
Standards	CSA C22.2 No 142 EN 61131-2 UL 1604 UL 508 CSA C22.2 No 213
IP degree of protection	IP20
Ambient air temperature for operation	-25...70 °C
Ambient air temperature for storage	-40...85 °C
Operating altitude	<= 2000 m
Altitude transport	<= 3000 m
Relative humidity	95 % without condensation

Offer Sustainability

Sustainable offer status	Not Green Premium product
RoHS (date code: YYWW)	Compliant - since 1209 - Schneider Electric declaration of conformity
REACH	Reference not containing SVHC above the threshold
Product environmental profile	Available Download Product Environmental

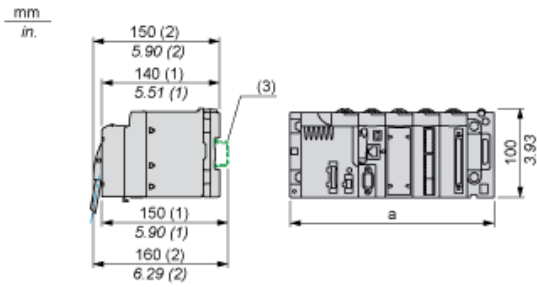
Presentation



- 1 : LED display
- 2 : rotary switches
- 4 : DEVICE NETWORK port (ETH 2)
- 5 : DEVICE NETWORK port (ETH 3)

Modules Mounted on Racks

Dimensions



- (1) With removable terminal block (cage, screw or spring).
- (2) With FCN connector.
- (3) On AM1 ED rail: 35 mm wide, 15 mm deep. Only possible with BMXXBP0400/0400H/0600/0600H/0800/0800H rack.

Rack references	a in mm	a in in.
BMXXBP0400 and BMXXBP0400H	242.4	09.54
BMXXBP0600 and BMXXBP0600H	307.6	12.11
BMXXBP0800 and BMXXBP0800H	372.8	14.68
BMXXBP1200 and BMXXBP1200H	503.2	19.81