



### Main

Range of product	Modicon M340 automation platform
Product or component type	Discrete output module
Product specific application	For severe environments
Electrical connection	20-way connector
Discrete output number	16
Discrete output type	Triac
Discrete output voltage	100...240 V 85...288 V AC

### Complementary

Current per channel	$\leq 0.6$ A at 60 °C $\leq 0.24$ A at 70 °C
Current per output common	$\leq 2.4$ A at 60 °C $\leq 0.96$ A at 70 °C
Current per module	$\leq 4.8$ A at 60 °C $\leq 1.92$ A at 70 °C
Leakage current	$\leq 3$ mA at state 0 240 V $\leq 1.5$ mA at state 0 120 V
[Ures] residual voltage	$\leq 1.5$ V at state 1
Insulation resistance	$> 10$ MOhm 500 V DC
Response time on output	$\leq 1$ ms resistive deactivation $\leq 1$ ms resistive activation
Typical current consumption	100 mA at 3.3 V DC
Protection type	1 external fuse fast blow
Output overload protection	With varistor
Inrush current	$\leq 20$ A
Current per output common	$\leq 2.4$ A
Output current limits	0.025...4.8 A
Status LED	1 LED red for module I/O 1 LED red for module error (ERR) 1 LED per channel green for channel diagnostic 1 LED green for module operating (RUN)

### Environment

IP degree of protection	IP20
Standards	CSA C22.2 No 142 IEC 1131-2 IEC 664 NF C 63-850 UL 508 UL 746C
Dielectric strength	2830 V AC at 50/60 Hz 1 min
Ambient air temperature for operation	-25...70 °C
Relative humidity	10...95 % without condensation
Protective treatment	Conformal coating Humiseal 1A33 TC
Environmental characteristic	3C4 conforming to EN/IEC 60721-3-3 3C3 conforming to EN/IEC 60721-3-3

## Offer Sustainability

Sustainable offer status	Not Green Premium product
RoHS (date code: YYWW)	Compliant - since 0901 - <a href="#">Schneider Electric declaration of conformity</a>
REACH	Reference not containing SVHC above the threshold
Product environmental profile	Available <a href="#">Download Product Environmental</a>

Modules Mounted on Racks

Dimensions

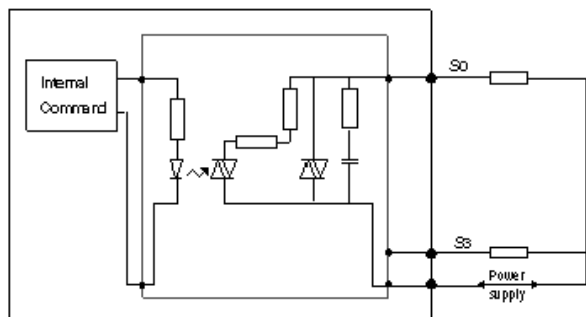


- (1) With removable terminal block (cage, screw or spring).
- (2) With FCN connector.
- (3) On AM1 ED rail: 35 mm wide, 15 mm deep. Only possible with BMXXBP0400/0400H/0600/0600H/0800/0800H rack.

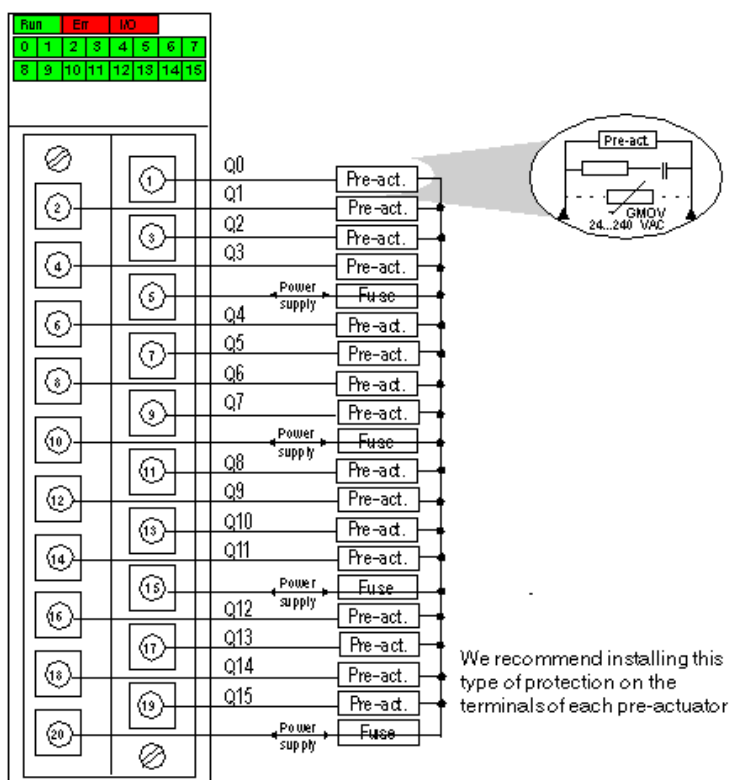
Rack references	a in mm	a in in.
BMXXBP0400 and BMXXBP0400H	242.4	09.54
BMXXBP0600 and BMXXBP0600H	307.6	12.11
BMXXBP0800 and BMXXBP0800H	372.8	14.68
BMXXBP1200 and BMXXBP1200H	503.2	19.81

Connecting the Module

Output Circuit Diagram



Module Connection



power 100...240 VAC  
supply  
fuse 1 fast blow fuse of 3 A for each 4-channel group