



## Main

Range of product	Modicon Premium Automation platform
Product or component type	Discrete I/O modules
Discrete I/O number	28
Discrete input number	16 current sink fast input - conforming to IEC 1131-2 Type 1
Input logic	Positive
Input voltage	24 V 3.5 mA DC

## Complementary

Voltage state 1 guaranteed	$\geq 11$ V
Current state 1 guaranteed	$\geq 3$ mA
Voltage state 0 guaranteed	$\leq 5$ V
Current state 0 guaranteed	$\leq 1.5$ mA
Sensor power supply	19...30 V
Filter time	0.1 to 7.5 ms by configuration 4 ms by default
Paralleling of inputs	Yes
Input compatibility	2-wire/3-wire proximity sensor
Insulation resistance	$> 10$ MOhm 500 V DC
Power dissipation	1.2 W + 0.1 x number of input at 1
Discrete output number	12
Tungsten load	6 W solid state output
Output voltage	24 V 0.5 A
Discrete output type	Solid state
Output voltage limits	19...30 V
Output current limits	0.5 A by channel 4 A by module
Leakage current	$< 1$ mA at state 0
[Ures] residual voltage	$< 1.2$ V at state 1
Load impedance	$\geq 48$ W
Response time on output	0.6 ms
Switching frequency	0.5/LI <sup>2</sup> Hz
Output overvoltage protection	By transil diode
Reverse polarity protection	Reversed diode
Preactuator voltage detection threshold	16 V
Electrical connection	2 connectors HE-10
Current consumption	75 mA 24 V DC 300 mA 5 V DC
Module format	Standard
Protective treatment	Conformal coating Humiseal 1A33
Product weight	0.32 kg

## Environment

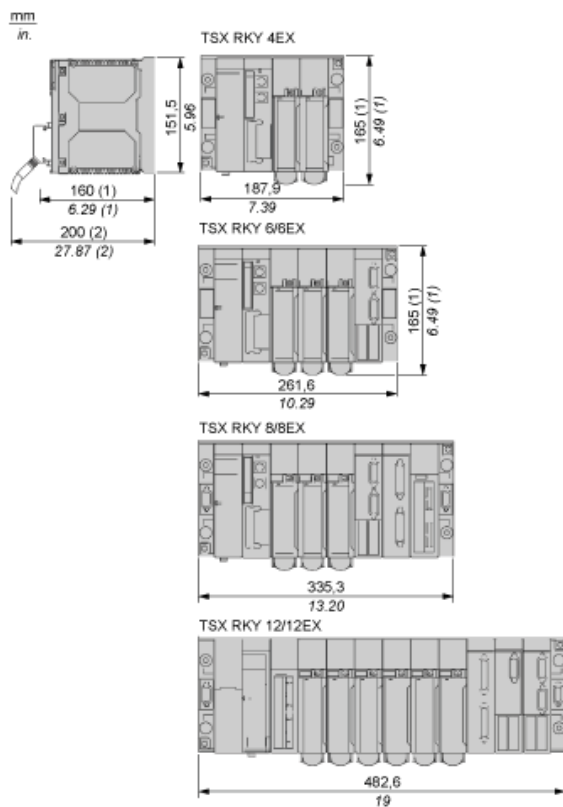
Dielectric strength	1500 V 50/60 Hz for 1 minute
Derating factor	60 % of the maximum current of the module at 60 °C solid state output 60 % of inputs at state 1 at 60 °C fast input
Ambient air temperature for operation	0...60 °C
Ambient air temperature for storage	-25...70 °C
Relative humidity	5...95 % without condensation
Operating altitude	<= 2000 m

## Offer Sustainability

Sustainable offer status	Not Green Premium product
RoHS	Compliant - since 0850 - Schneider Electric declaration of conformity <a href="#">download declaration of conformity</a>

Standard and Extendable Racks for Modules Mounting

Dimensions of Modules and Racks

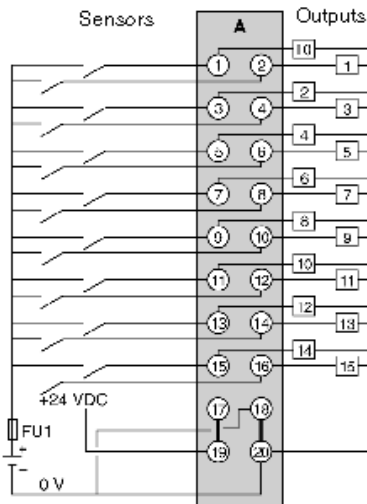


(1) With screw terminal block modules.

(2) Maximum depth for all types of modules and their associated connectors.

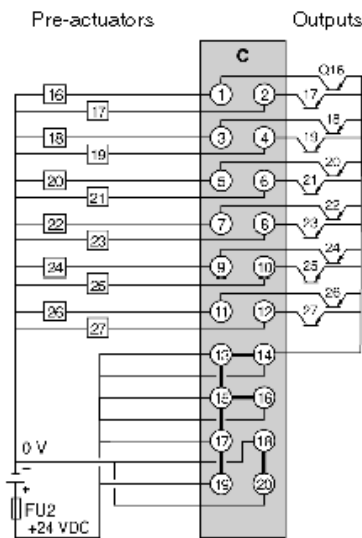
24 Vdc Input/Output 28-Channel Module

Wiring Diagram with Sensors



FU1 0.5 A quick-blow fuse.

Wiring Diagram with Pre-Actuators



FU2 10 A quick-blow fuse.