



Main

Range of product	Modicon Premium Automation platform
Product or component type	Discrete output module
Discrete output number	8
Discrete output type	Solid state protected
Discrete output voltage	48 V DC positive conforming to EN/IEC 61131-2 38...60 V
Discrete output current	1000 mA

Complementary

Current per channel	≤ 1.25 A
Current per module	≤ 7 A
Leakage current	< 1 mA at state 0
[Ures] residual voltage	< 1 V
Response time	0.2 ms
Switching frequency	0.5/LI ² Hz
Output overvoltage protection	By transil diode
Reverse polarity protection	Reverse mounted diode
Output overload protection	Electronic tripping on reactivation
Short-circuit protection	Electronic tripping on reactivation
Preactuator voltage detection threshold	34 V
Load impedance	≥ 48 W
Isolation resistance	> 10 MOhm 500 V
Power dissipation	(2.2 W + 0.55 W x No of outputs x current per module)
Marking	CE
Electrical connection	Screw terminal block
Current consumption	55 mA 5 V DC
Module format	Standard
Product weight	0.32 kg

Environment

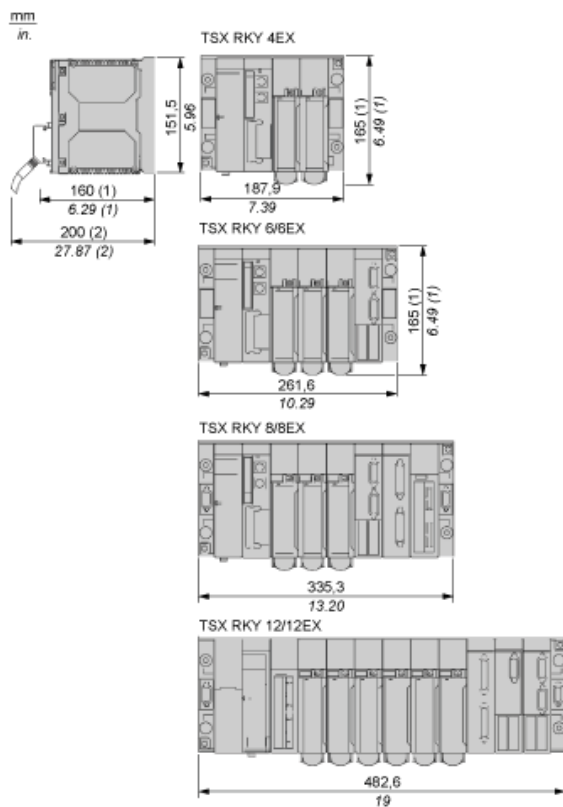
Dielectric strength	1500 V 50/60 Hz 60 s
Standards	73/23/EEC 89/336/EEC 92/31/EEC 93/68/EEC CSA 22-2 No 142 CSA 22-2 No 213 Class I Division 2 Group A CSA 22-2 No 213 Class I Division 2 Group B CSA 22-2 No 213 Class I Division 2 Group C CSA 22-2 No 213 Class I Division 2 Group D IEC 61131-2 UL 508
Product certifications	ABS BV DNV GL LR RINA RMRS
Ambient air temperature for operation	0...60 °C
Ambient air temperature for storage	-25...70 °C
Relative humidity	5...95 % without condensation for storage 10...95 % without condensation for operation
Operating altitude	0...2000 m
Protective treatment	Conformal coating Humiseal 1A33 TC
IP degree of protection	IP20
Pollution degree	2

Offer Sustainability

Sustainable offer status	Not Green Premium product
RoHS	Compliant - since 0908 - Schneider Electric declaration of conformity download declaration of conformity

Standard and Extendable Racks for Modules Mounting

Dimensions of Modules and Racks

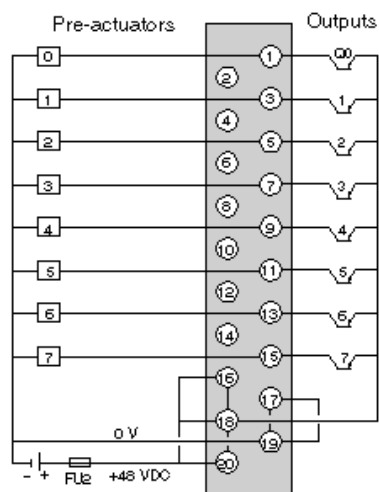


(1) With screw terminal block modules.

(2) Maximum depth for all types of modules and their associated connectors.

48 Vdc Discrete Transistor Output 8-Channel Module

Wiring Diagram



FU2 10 A quick-blow fuse