

IE-C5DS4UG0015MBSXXX-E**Weidmüller Interface GmbH & Co. KG**

Klingenbergstraße 26

D-32758 Detmold

Germany

www.weidmueller.com



Assembled IE cables, PROFINET, Cat. 5, PUR, green

General ordering data

Version	System cable, M12 D-code - flange, Open, Cat.5 (ISO/IEC 11801) / Cat.5e (TIA T568-B), PUR, 1.5 m
Order No.	1234770015
Type	IE-C5DS4UG0015MBSXXX-E
GTIN (EAN)	4050118019346
Qty.	1 pc(s).

Creation date March 23, 2021 10:37:51 AM CET

Catalogue status 12.03.2021 / We reserve the right to make technical changes.

IE-C5DS4UG0015MBSXXX-E

Weidmüller Interface GmbH & Co. KG

Klingenbergstraße 26

D-32758 Detmold

Germany

www.weidmueller.com

Technical data

Dimensions and weights

Length	1.5 m	Length (inches)	59.055 inch
Net weight	112 g		

Temperatures

Storage temperature	-50 °C...70 °C	Operating temperature	-40 °C...70 °C
Installation temperature	-20 °C...60 °C		

Environmental Product Compliance

REACH SVHC	Lead 7439-92-1
------------	----------------

Cable structure

Cross-section	4*AWG 22/7 - 0.36 mm ²	Insulation cross-section	1.5 mm
Material sheath	PUR	Sheath diameter, max.	6.7 mm
Sheathing colour	green (RAL 6018)	Shielding	360° shield contact

Electrical properties of cable

Category	Cat.5 (ISO/IEC 11801) / Cat.5e (TIA T568-B)
----------	--

Mechanical and material properties of cable

Min. bending radius, once only	5 x cable diameter	Min. bending radius, repetitive	15 x cable diameter
--------------------------------	--------------------	---------------------------------	---------------------

Plug, left

Connector left	M12 D-code – flange
----------------	---------------------

Plug, right

Connector right	Open
-----------------	------

plug

Connector left	M12 D-code – flange	Connector right	Open
----------------	---------------------	-----------------	------

Classifications

ETIM 6.0	EC002599	ETIM 7.0	EC002599
ECLASS 9.0	27-06-03-08	ECLASS 9.1	27-06-03-08
ECLASS 10.0	27-06-03-08	ECLASS 11.0	27-06-03-08

Approvals

ROHS	Conform
------	---------

Downloads

Approval/Certificate/Document of Conformity	PROFINET Manufacturer's Declaration
User Documentation	MAN IE GUIDE DE MAN IE GUIDE EN

Creation date March 23, 2021 10:37:51 AM CET

Catalogue status 12.03.2021 / We reserve the right to make technical changes.

IE-C5DS4UG0015MBSXXX-E

Weidmüller Interface GmbH & Co. KG
 Klingenbergstraße 26
 D-32758 Detmold
 Germany

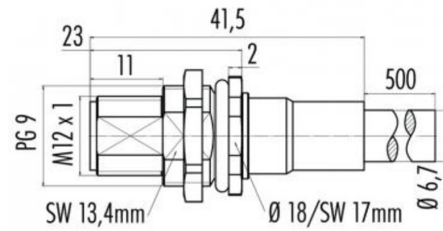
www.weidmueller.com

Drawings

Wiring diagram

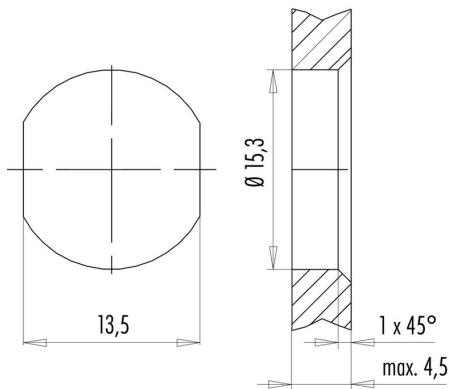
	M12
_____ yellow	1
_____ white	2
_____ orange	3
_____ blue	4

Dimensioned drawing



Hexagon nut enclosed loosely

Dimensioned drawing



with through hole